

shower valves - Telo Thermostatic Shower

Introduction

The popular style of the Telo range ensures that it is at home in whatever setting it is installed. A flagship product of the Inta range, the Telo has proven itself time and time again to be a popular choice.

gives
total control

- Suitable for use with unvented supplies, combi boilers, gravity and mains pressure systems
- Thermal cartridge technology
- Temperature stability of +/-2°C
- Fail safe on hot and cold supplies
- Operating pressure range of 0.2 to 5 bar
- Available with fast fix brackets



telo thermostatic bar shower with flexible slide rail kit
TL10014CP

telo thermostatic bar shower with flexible slide rail kit and fast fix brackets
TL10016CP

Product Range

Description	Code
telo thermostatic bar shower with flexible slide rail kit	TL10014CP
telo thermostatic bar shower with flexible slide rail kit and fast fix brackets	TL10016CP
telo thermostatic bar shower	TL10010CP
telo flexible slide rail kit	31665CPA
fast fix brackets	20010CP

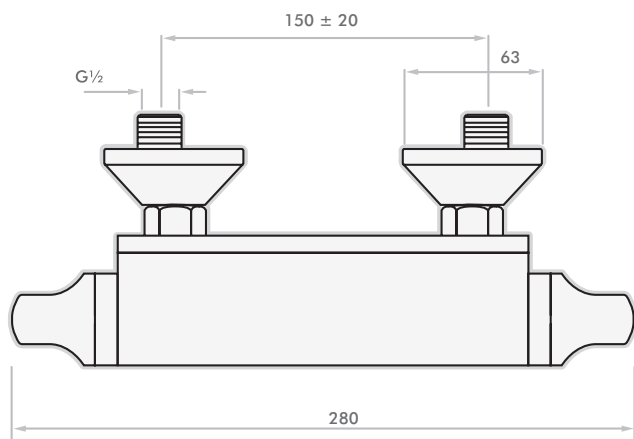


shower valves - Telo Thermostatic Shower

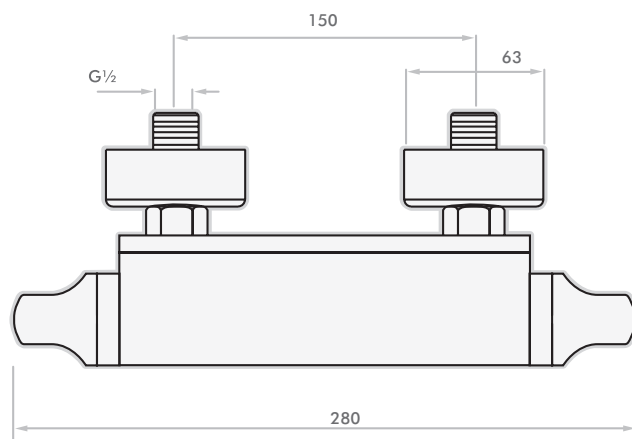
Features

■ Technical Specification

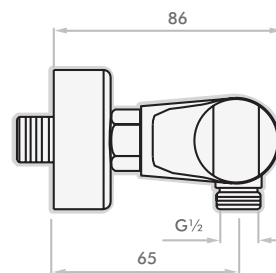
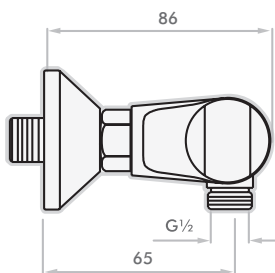
Max Inlet Pressure static	5 Bar
Min Inlet Pressure dynamic	0.2 Bar
Max Inlet Temperature	85°C
Factory Pre-set Temperature	38°C with max temp stop
Inlet Connections	G 3/4" F BSP (valve body)
Outlet Connections	G 1/2" (bottom)
Min Temperature to achieve hot or cold failsafe	15°C
System Installation	Unvented, Pressurised, Gravity and Combination Boilers



TL10014CP



TL10016CP



■ INSPIRING CONFIDENCE

