

shower valves - Telo Thermostatic Concealed Shower

Introduction

The popular style of the Telo range ensures that it is at home in whatever setting it is installed. A flagship product of the Inta range, the Telo has proven itself time and time again to be a popular choice.

gives
total control

- Suitable for use with unvented supplies, combi boilers, gravity and mains pressure systems
- Thermal cartridge technology
- Temperature stability of +/-2°C
- Fail safe on hot and cold supplies
- Operating pressure range of 0.2 to 5 bar
- Integrated flow diverter
- Single or dual outlet options



telo thermostatic concealed shower
with flexible slide rail kit
TL40014CP

Product Range

| Description | Code |
|---|-----------|
| telo thermostatic concealed shower with flexible slide rail kit | TL40014CP |
| telo thermostatic concealed shower | TL40010CP |
| telo flexible slide rail kit | 31665CPA |
| elbow | T30020CP |

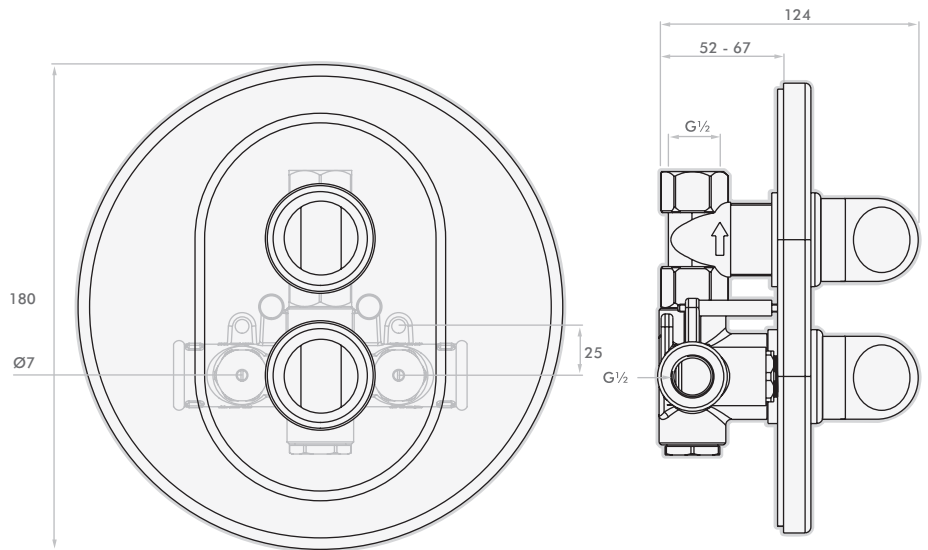


shower valves - **Telo Thermostatic Concealed Shower**

Features

■ Technical Specification

| | |
|---|---|
| Max Inlet Pressure static | 5 Bar |
| Min Inlet Pressure dynamic | 0.2 Bar |
| Max Inlet Temperature | 85°C |
| Factory Pre-set Temperature | 38°C with max temp stop |
| Inlet Connections | 15mm compression elbows |
| Outlet Connections | 15mm compression |
| Min Temperature to achieve hot or cold failsafe | 15°C |
| System Installation | Unvented, Pressurised, Gravity and Combination Boilers |



TL40010CP



■ INSPIRING CONFIDENCE

