

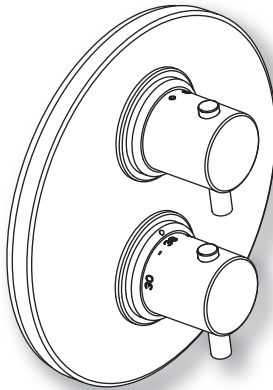
inta

Kiko

Concealed Shower Mixing Valve

KK80010CP

Installation and Maintenance Instructions



inta

Intatec Ltd

Airfield Industrial Estate

Hixon

Staffordshire

ST18 0PF

In this procedure document we have endeavoured to make the information as accurate as possible.

We cannot accept any responsibility should it be found that in any respect the information is inaccurate or incomplete or becomes so as a result of further developments or otherwise.

Tel: **01889 272 180**

Fax: **01889 272 181**

email: **sales@intatec.co.uk**

web: **www.intatec.co.uk**

Products

Kiko and Kiko *DELUXE* thermostatic concealed dual outlet shower valves are available with options detailed.

Kiko Options

Kiko Thermostatic Concealed Shower dual outlet.	KK80010CP
Kiko Rinse Station with hose and 5 function hand set	KK70001CP
Kiko Flexible Slide Rail Kit with wall outlet and 5 function handset	KK70002CP
Kiko Overhead Arm and Soaker	KK70003CP
Kiko Ceiling Arm and Soaker	KK70004CP
Kiko Thermostatic Concealed Shower with overhead arm, soaker, rinse station and 5 function handset	KIKO20
Kiko Thermostatic Concealed Shower with overhead arm, soaker, flexible slide rail kit, 5 function handset and wall elbow	KIKO21
Kiko Thermostatic Concealed Shower with ceiling arm and soaker, rinse station and 5 function handset	KIKO22
Kiko Thermostatic Concealed Shower with ceiling arm and soaker, flexible slide rail kit, 5 function handset and wall elbow	KIKO23

Kiko *DELUXE* Options

Kiko <i>DELUXE</i> Rinse Station with smooth hose and push button hand set	KK70005CP
Kiko <i>DELUXE</i> Flexible Slide Rail Kit with wall outlet and push button handset	KK70006CP
Kiko <i>DELUXE</i> Overhead Arm and Large Stainless Steel Soaker	KK70007CP
Kiko <i>DELUXE</i> Ceiling Arm and Large Stainless Steel Soaker	KK70008CP
Kiko Thermostatic Concealed Shower with overhead arm, large stainless steel soaker, rinse station and push button handset	KIKOD20
Kiko Thermostatic Concealed Shower with overhead arm, large stainless steel soaker, flexible slide rail kit, push button handset and wall elbow	KIKOD21
Kiko Thermostatic Concealed Shower with ceiling arm, large stainless steel soaker, rinse station and push button handset	KIKOD22
Kiko Thermostatic Concealed Shower with ceiling arm and large stainless steel soaker, flexible slide rail kit, push button handset and wall elbow	KIKOD23

Introduction

This installation guide has been produced for the Kiko concealed dual outlet shower mixing valve. These instructions cover the installation, operation and maintenance. Please read the enclosed instructions before commencing the installation of this product, please note;

We recommend that the installation of any Inta product is carried out by an approved installer.

The installation must be carried out strictly in accordance with the Water Supply (Water Fitting) Regulations 1999 and any local authority regulations.

If in doubt we recommend that you contact WRAS - Water Regulations Advisory Scheme on Tel: 0333 207 9030, your local water authority - details available on the WRAS website or the Chartered Institute of Plumbing and Heating Engineers on Tel: 01708 472 791.

All products **MUST** be re-commissioned to suit site conditions to ensure optimum performance levels of the product are obtained

Safety

This thermostatic shower must be installed and commissioned correctly to ensure that water is supplied at a safe temperature to suit the users.

The shower is pre-set using ideal conditions to 38°C at the stop with a manual push button override to 46°C (can be re-set to suit site conditions or user preference – see calibration page 13).

The maximum mixed temperature takes account of the allowable tolerances inherent in thermostatic shower mixers and temperature losses.

It is not a safe bathing temperature for adults or children.

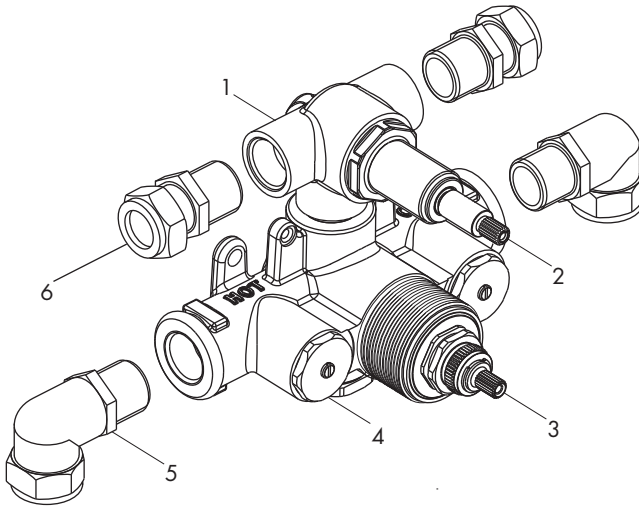
The British Burns Association recommends 37 to 37.5°C as a comfortable bathing temperature for children. In premises covered by the Care Standard Act 2000, the maximum mixed water outlet temperature is 43°C.

Technical Data

This Inta Kiko thermostatic shower valve is suitable for installations on all types of plumbing systems, including gravity supplies, fully pumped, modulating combination boiler, unvented water heater and unbalanced supplies i.e. Cold Mains & Tank Fed Hot. They are not suitable for non-modulating combination boilers.

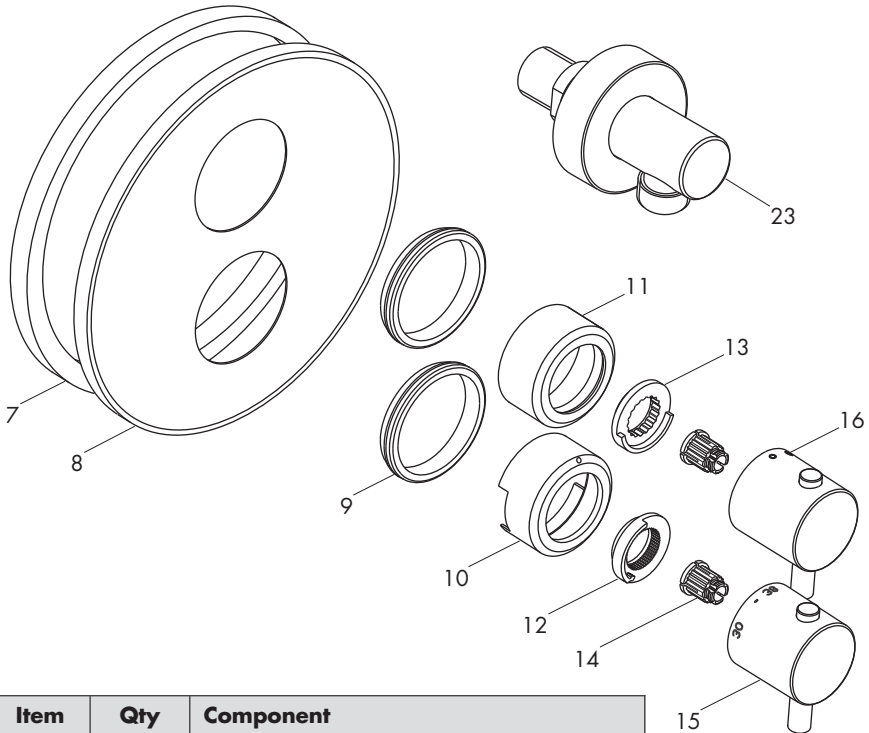
Max Inlet Pressure (Static)	12 bar	Max Inlet Temperature	85°C
Max Inlet Pressure (Dynamic)	5 bar	Pre Set Factory Temp Setting	38°C
Min Operating Pressure (Dynamic)	0.4 bar	Temperature Stability	±2°C
Max Unbalanced Pressure Ratio	5:1	Min Temp Differential to	
Inlet Connections (Body only)	G½"	ensure fail-safe between hot	
Outlet Connections	G½"	and cold supplies	10°C

Components - Shower Valve



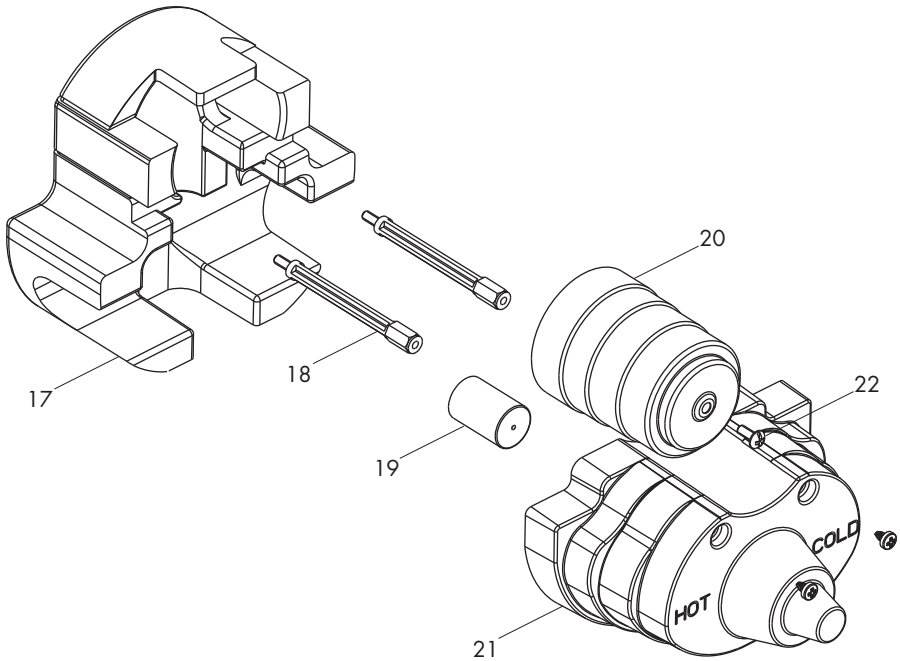
Item	Qty	Component
1	1	Valve body and flow controller body
2	1	Flow controller
3	1	Thermostatic cartridge
4	2	Cap and check valve
5	2	Angled male x compression adaptor
6	2	Straight male x compression adaptor

Components - Concealing Plate and Control Knobs



Item	Qty	Component
7	1	Concealing plate gasket
8	1	Concealing plate
9	2	Sealing ring
10	1	Temperature control concealing sleeve
11	1	Flow control concealing sleeve
12	1	Temperature stop ring
13	1	Flow control stop ring
14	2	Gear drive for control knob
15	1	Temperature control knob
16	1	Flow control knob
23	1	Outlet elbow - only supplied with KK70002CP

Components - Plaster Guard and Insulation



Item	Qty	Component
17	1	Preformed body insulation shell
18	2	Extension piece
19	1	Thermostatic cartridge extension
20	1	Flow controller cover
21	1	Plaster guard
22	3	Retaining screw

Check Content

Before commencing remove all components from packaging and check each component with the contents list.

Ensure all parts are present, before discarding any packaging. If any parts are missing, do not attempt to install your Inta shower valve until the missing parts have been obtained.

Unvented Mains Pressure System

The drawing shows a typical installation of a shower mixing valve in conjunction with an un-vented hot water system. This type of installation must be carried out in accordance with Part G of the Building Regulations.

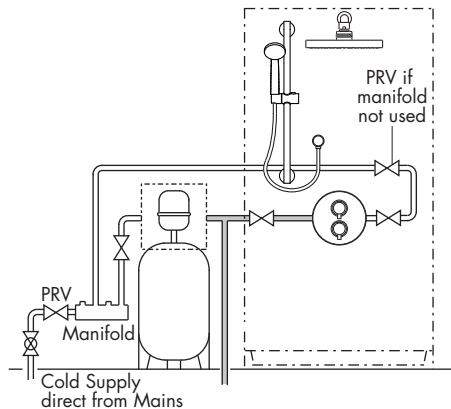
Whilst pressures are theoretically equal (balanced) most un-vented hot systems have a pressure reducing valve on the incoming cold water prior to the hot water storage vessel. This means that the hot and cold pressures can be significantly different.

Most unvented systems use an inlet manifold located directly after the pressure reducing valve.

It is recommended that the cold supply be taken from one of the outlets of the manifold directly to the shower as an independent supply.

For systems without a manifold unit after the pressure reducing valve and where the cold water supply pressure is significantly higher than the hot supply we recommend that a separate pressure reducing valve is fitted to the cold supply, as close as possible to the shower valve and with no draw off points between it and the shower valve.

Flow regulators are required for installations where a PRV is not fitted to ensure simultaneous demand is accounted for.



Pumped Systems

Pumped systems use a booster pump to increase the pressure of the gravity fed water supplies.

These booster pumps are used where the head of water is insufficient to provide a satisfactory shower or where a high performance shower is required.

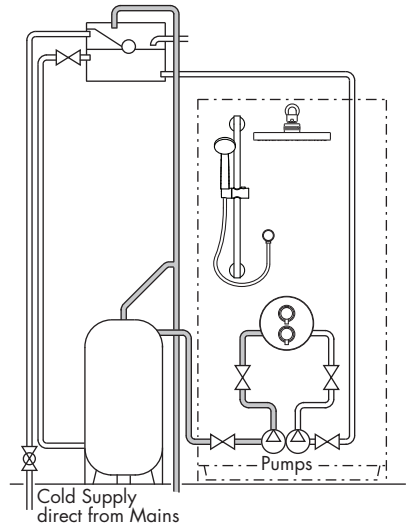
Please ensure that the performance of the pump is matched to suit the shower.

Follow the instructions for gravity fed installations taking into account the installation requirements of the pump.

Ensure that the hot and cold water storage capacity is sufficient to supply the shower and any other draw off points that may be used simultaneously.

Most pumps require a minimum head of water to allow the flow switches to operate automatically. Where this is not available a negative head kit may be required to operate the pump.

Please consult the pump manufacturer's installation requirements



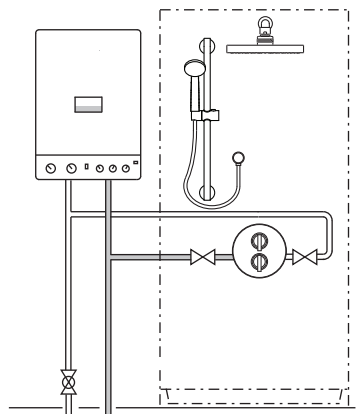
Modulating Combi Boiler / Instantaneous Gas Water Heater

The drawing shows a typical installation of a shower valve in conjunction with a combination boiler.

Combi boilers will produce a constant flow of water at a temperature within its operating range. However we recommend that the system should supply hot water in excess of 60°C.

The hot water flow rates are dependant upon the type of boiler / heater used and the temperature rise required to heat the cold water to the required temperature.

The cold water flow rates may be much greater as they are generally unrestricted from the mains cold water supply. To ensure relatively balanced flow rates, we recommend that a pressure reducing valve or 6 l/min flow regulator is fitted in the cold water supply pipe.



Gravity System

The drawing shows a typical installation of a shower valve on a gravity supplied system.

Please note the minimum head pressure required to ensure correct operation of the valve. In accordance with good plumbing practice, we recommend that a totally independent hot and cold water supply be taken to the valve.

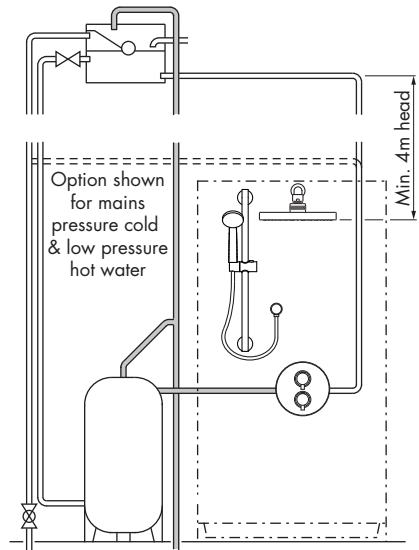
The cold water supply must be connected directly to the water cistern. The hot water supply should be connected to the hot water cylinder via an Essex flange or Sussex flange or to the vent or a draw off pipe as close as possible to the top of the cylinder.

For equal tank fed pressures there is no need to fit the flow regulators. This installation is the recommended minimum for gravity supplies.

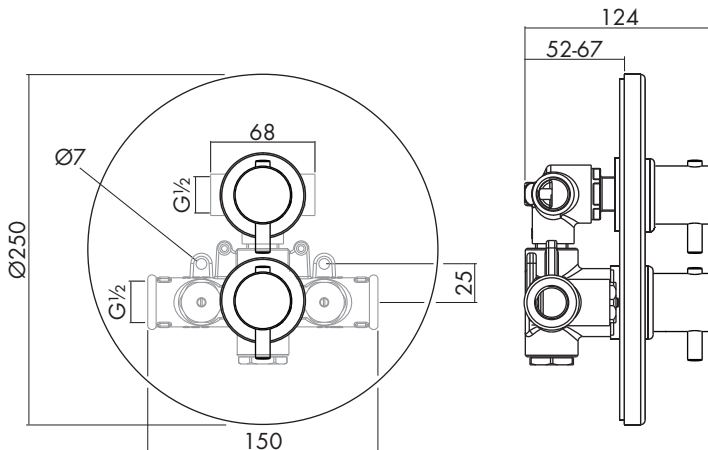
For systems with less than 4 metre head pressure, we recommend that a suitable booster pump is fitted to increase the supply pressure.

Cold Mains & Gravity Hot Supplies

If the cold supply to the shower is direct from the cold water mains and the hot water supply is gravity fed from the cold water cistern via the hot water cistern you **MUST** fit a pressure reducing valve or a 6 l/min flow regulator.



Dimensions



Site Preparation

It is important to plan the installation thoroughly to suit site conditions before commencing.

- Before commencing the installation ensure site conditions are suitable.
- The shower mixing valve is designed for concealed pipework, whether in a solid or studded wall.
- Site conditions will determine how the shower valve, outlet elbow and if required the over head soaker (shower head) will be installed.
- The thickness of wall tiles, plaster or plaster board should all be considered when positioning the shower valve and routing the hot and cold supply pipes.
- The shower valve must protrude sufficiently from the finished tiled surface to allow the concealing plate and control knobs to be fitted.
- Ensure the shower valve will be vertical when installed.
- The supply pipes can come from below, above, the side or through the wall.
- The shower valve must be installed securely into the wall. If not embedded into the wall with plaster the shower valve must be fixed secure to the studding using screws in the 2 mounting holes.
- The whole system should be thoroughly flushed, prior to the connection of the hot and cold water supplies to the shower valve, to remove any debris that may be in the supply pipework.
- Ensure there are no joint leaks before finishing the wall.
- Isolation valves must be fitted in an accessible position to both the hot and cold supplies should the valve need to be isolated in the future for servicing.

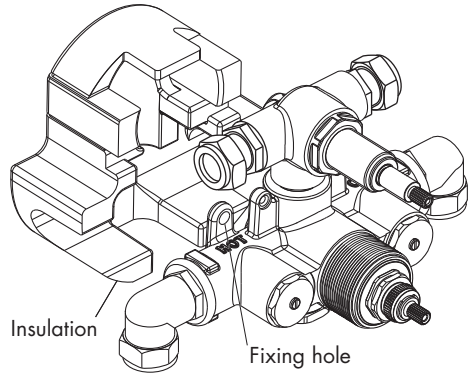
Installation - Shower Valve

Before installing the shower valve, fit the four threaded by compression fittings (5) to the inlet and outlet connections, ensuring water tight joints. Also connect the supply and outlet pipes.

The valve and pipes can be used as a template to mark their position onto the wall.

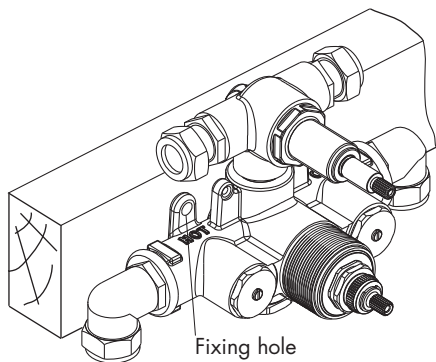
Solid wall

- Create a large enough cavity for the shower valve and chase the wall for the two supply pipes and a route from the outlet of the shower valve to the outlet elbow and overhead shower.
- If the shower valve is to be fitted in an outside wall or where there is a greater risk of freezing the preformed insulation (17) should be used, which will require a deeper cavity.
- If the preformed insulation is not used, fix the shower valve into the cavity using the 2 fixing holes ensuring the valve is vertically in line.
- Ensure the thermostatic cartridge and flow control valve protrude sufficiently from the finished wall surface to allow the concealing plate and control knobs to be fitted, see dimension drawing.



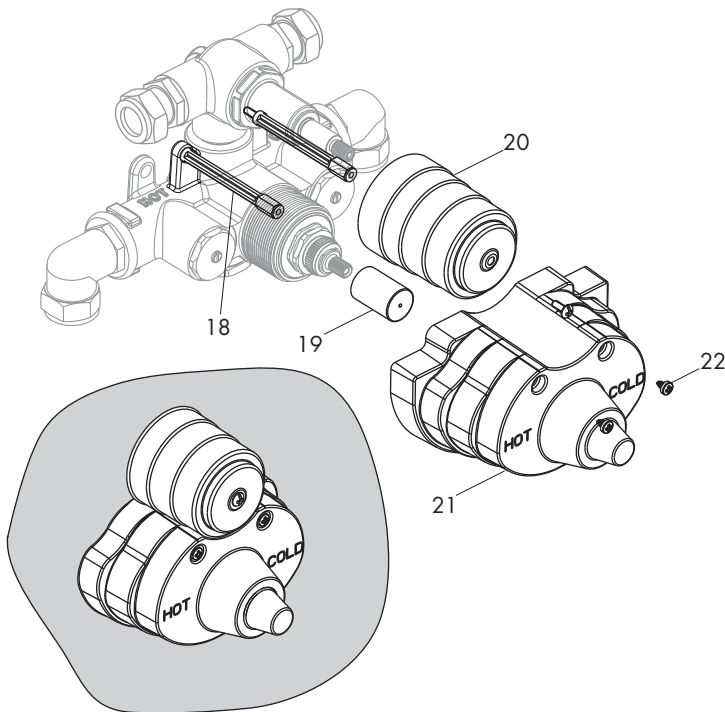
Cavity wall

- The shower valve must be fixed securely to the structural members of the stud wall and/or an additional member may need to be included where the shower valve will be located.
- If there is access from the adjacent room into the cavity, the surface of the shower room wall can be finished with most of the tiling completed.
- Fix the shower valve to the structural member using 2 screws of sufficient length and tighten to hold secure.
- Ensure the thermostatic cartridge and flow control valve protrude sufficiently from the finished wall surface to allow the concealing plate and control knobs to be fitted, see dimension drawing for protrusion distance.
- Additional holes need to be made for the outlet elbow and soaker arm. The tiling around these holes needs to be completed to allow these components to be fitted.



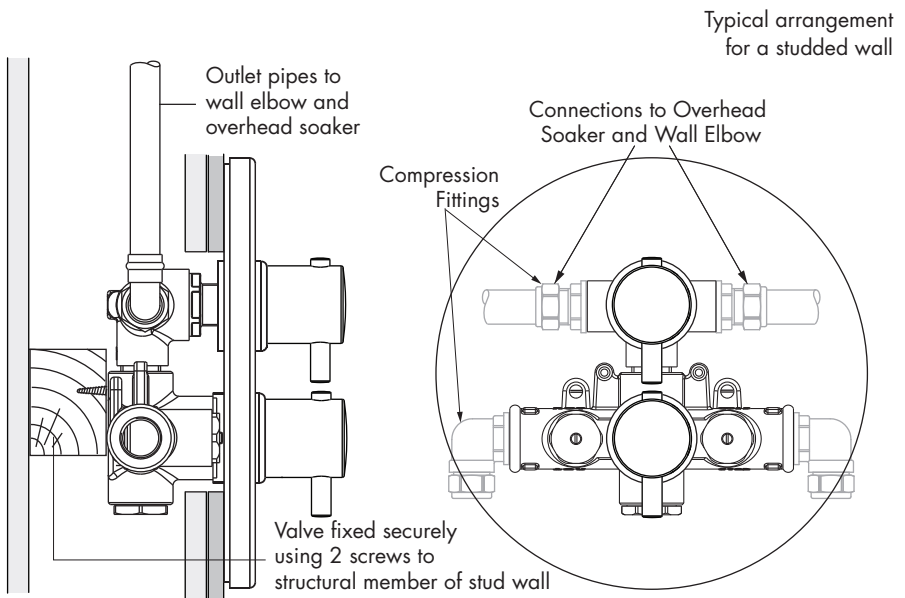
Plaster guard

- Check all joints for leakage before embedding into the wall or concealing the valve.
- Screw the extension pieces (18) into the two threaded holes.
- Place the thermostatic cartridge extension (19) over the flow cartridge spindle.
- Place the flow controller cover (20) over the flow control valve and secure with retaining screw (22).
- Fit the plaster guard (21) over the valve and secure with two retaining screws (22).
- For a solid wall embed the pipes and shower valve with plaster.
- Finally finish the wall with plaster and plaster up to and around the plaster guard.
- When the plaster is dry remove the plaster guard or if a tiled wall leave in position and tile around the guard.
- Finally remove the retaining screws and remove the plaster guard.



Fitting the Concealing Plate

- If there is access from the adjacent room into the cavity, the surface of the shower room wall can be finished with most of the tiling completed.
- Connect the copper supply pipework ensuring a water tight joint.
- Insert the assembly through the wall, secure the pipework and connect to the shower valve.
- Once the wall elbow and soaker have been connected turn on the water supplies and test all joints for leakage before finishing the wall. Any leaking joints must be rectified before proceeding further.
- Finish tiling the wall around the shower valve.
- Fit the gasket into the concealing plate with a bead of mastic.
- Place the concealing plate and gasket, with a bead of mastic on the back of both, over the control valves and press firmly to the wall.
- Fit the temperature stop ring, the gear drive and push on the temperature control knobs.
- Finally finish the wall on the adjacent room side.
- See installation details for the various outlet and shower combinations.



Calibration

The Inta Kiko shower valve has a factory set outlet temperature of 38°C via the security setting. This is based on a balanced supply pressure and a stable hot water inlet temperature of 65°C.

However, the calibration point **MUST** be checked and re-set as necessary to suit site conditions.

Care must be taken when re-calibrating the valve as **INCORRECT CALIBRATION CAN CAUSE INJURY**.

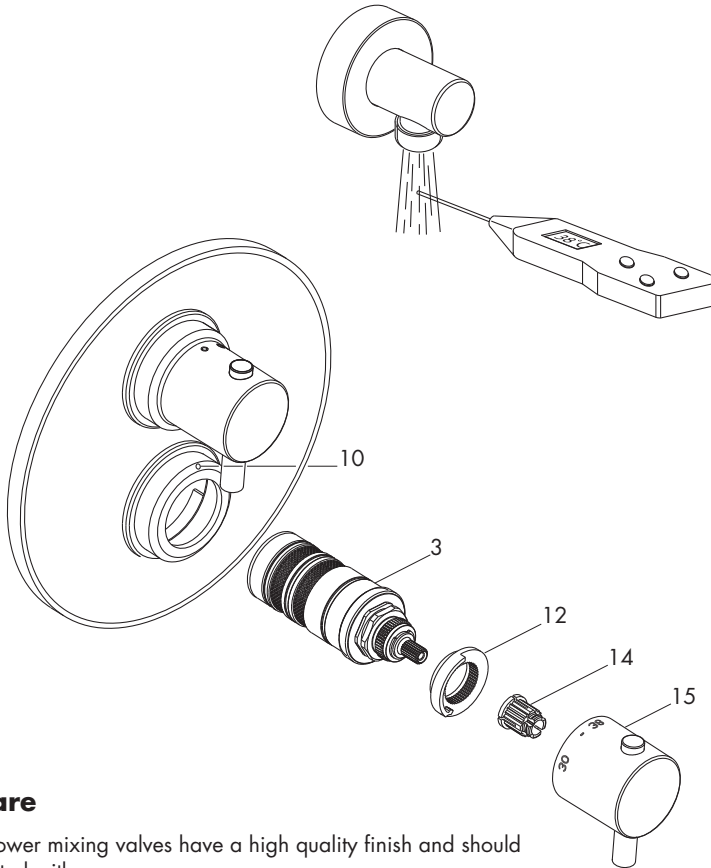
- Remove the temperature control knob (15) by pulling away from the shower valve, the gear drive (14) and the temperature stop ring (12).
- Fully open the flow control and allow the outlet temperature to stabilise.
- Temporarily refit the control knob (15) and using a digital thermometer it is possible to increase or reduce the mixed water outlet temperature until 38°C is re-established, by slowly rotating the control knob.
- Remove the control knob (15) and refit the temperature stop ring (12) onto the splined section of the cartridge. The red dot on the temperature stop ring must align with the temperature position symbol (10) on the temperature control concealing sleeve.
- Refit the gear drive (14).
- Refit the temperature control knob in the reverse order ensuring that 38°C on the control knob is in line with the temperature position symbol (10).

PLEASE NOTE THAT ONCE CALIBRATED, THE SECURITY SETTING WILL ONLY BE 38 °C UNDER THE SUPPLY CONDITIONS USED FOR CALIBRATION.

Cartridge Replacement

- Isolate both the hot and cold water supplies
- Remove the temperature control knob (15) by pulling away from the shower valve, the gear drive (14) and the temperature stop ring (12).
- Using a suitable spanner unscrew the cartridge (3).
- Replace with a new cartridge.
- The shower valve must be re-calibrated after fitting the new cartridge following the procedure above.
- Refit the temperature stop ring (12) onto the splined section of the cartridge. The red dot on the temperature stop ring must align with the temperature position symbol (10) on the temperature control concealing sleeve
- Refit the gear drive (14).
- Refit the temperature control knob in the reverse order ensuring that 38°C on the control knob is in line with the temperature position symbol (10).

Calibration and Cartridge Replacement



Aftercare

Inta shower mixing valves have a high quality finish and should be treated with care.

An occasional wipe with a mild washing-up liquid on a soft damp cloth followed by a thorough rinsing is all that is required.

The nozzles in the hand set should be cleaned periodically to remove any build up of debris or deposits which may affect the performance of the shower.

Do not use an **abrasive** or **chemical household cleaner** as this may **cause damage**.

Spares

A full range of spares are available for this product.

PLEASE NOTE: Only genuine spares should be used.

Problem Solving

The following details are supplied for on site queries, should you require any further assistance our Technical Department can be contacted directly on 01889 272199.

Fault	Solution
Showering temperature is not hot enough.	Ensure the hot water supply is at a constant temperature above 60°C. Check for air locks in the pipework. Thermostatic cartridge movement limited due to lime scale build up
The water goes cold during showering.	Insufficient stored hot water. When used with a combi boiler confirm that the boiler is still firing. Adjust the boiler to a minimum setting of 65°C which may not necessarily be the best flow rate.
When the water is set at cold, the showering temperature is too hot.	The hot and cold supply connections have been made in reverse. Thermostatic cartridge movement limited due to lime scale build up
The maximum showering temperature is too hot or when set to hot water runs to cold.	Check the commissioned maximum temperature of the shower valve. Check the connections to the valve have not been made in reverse. Thermostatic cartridge movement limited due to lime scale build up
The flow of water from the shower valve is low.	Check the filters are clean and the supply pressure is above 0.4 bar.
No flow of water	Ensure the valve has not fail-safed and check that there is hot and cold water flow to the valve. Ensure the check valves are not closed.
Shower is stiff to operate	Build-up of limescale on flow control cartridge - service and de-scale
Passing/dripping from outlet	Service flow control cartridge.

Water Outlets - Installation

- The pipework for the water outlets must be fixed securely to a structural members of the stud wall and/or an additional member may need to be included.
- If there is access from the adjacent room into the wall cavity or from the room above or roof space into the ceiling space, the surface of the shower room wall can be finished with most of the tiling completed or the ceiling finished.
- Drill a hole in the required location for the wall elbow, overhead or ceiling soaker.
- A flanged elbow with a compression and female threaded connection may be used to provide a secure connection for the outlets. Other types of fittings can be used which fit to a structural member and provide the required connections.
- For the ceiling arm the fitting used should not protrude beyond the surface of the ceiling.
- Other fittings may be required to make the connection between the fitting fixed to the structural member and the water outlet.
- Apply mastic to the inner edge of the wall elbow before fitting.
- Push the concealing plate of the overhead arm or ceiling arm to the wall or ceiling.
- Connect the water outlet to the mixed water supply from the shower valve.
- Turn on the water supplies and test all joints for leakage before finishing the wall. Any leaking joints must be rectified before proceeding further.

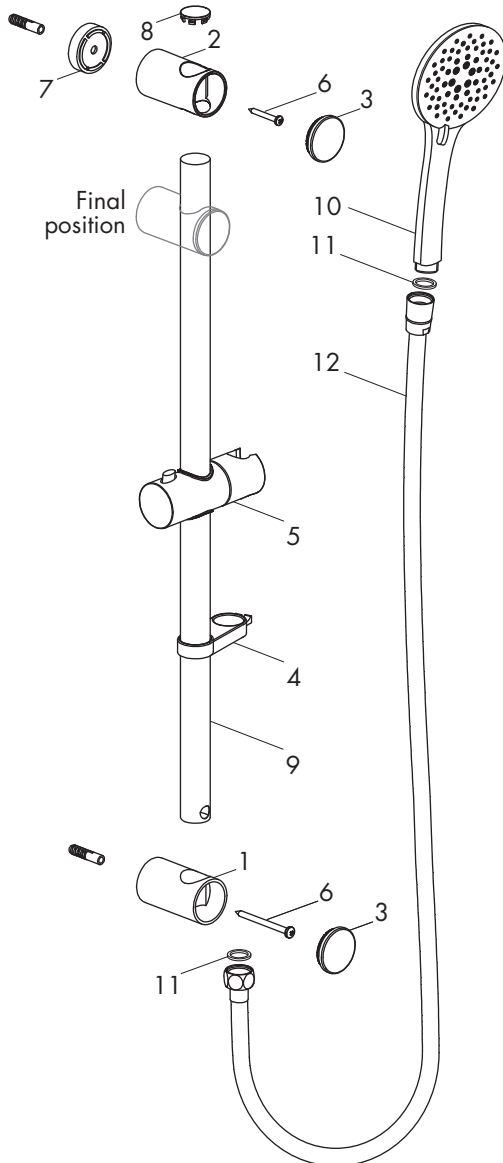
Rinse Station

- Connect the handset to the hose using the sealing washer provided.
- Connect the hose to the outlet elbow using the sealing washer provided.
- Turn on the shower and check joints for leakage.

Slide Rail Kit

- Install the slide rail kit following the instructions given on page 19.
- Connect the hose to the outlet elbow using the sealing washer provided.
- Turn on the shower and check joints for leakage.

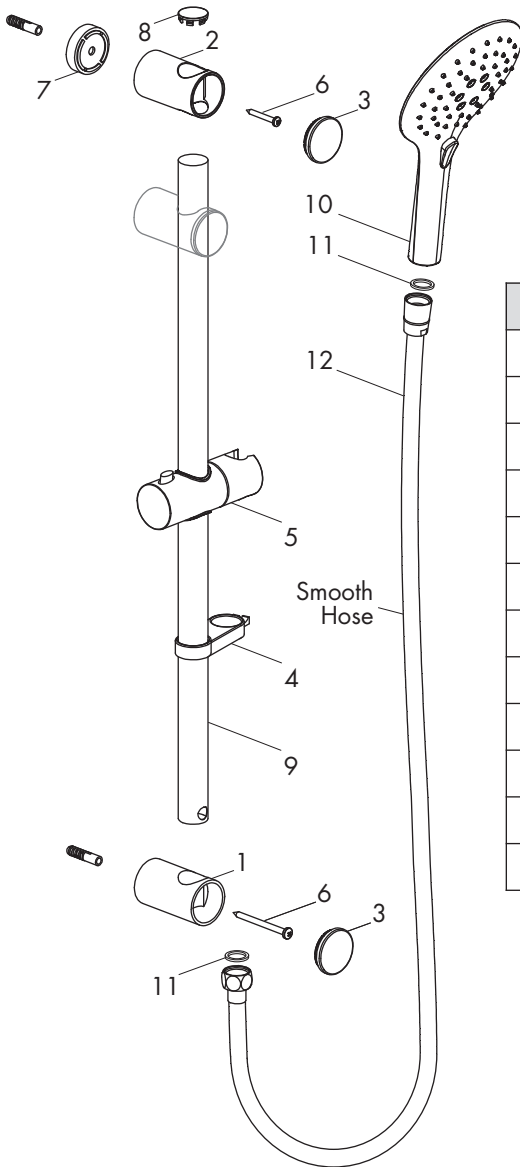
KK70002CP Flexible Slide Rail - Components



Item	Qty	Component
1	1	Bottom Wall Bracket
2	1	Top Wall Bracket
3	2	Cover
4	1	Flexible Tidy
5	1	Handset Holder
6	2	Screw & Plug
7	1	Wall plate
8	1	Rail cap
9	1	Rail
10	1	Handset
11	2	Sealing Washers
12	1	Flexible Hose

NOTE: drawing for illustration purposes only.

KK70006CP Deluxe Flexible Slide Rail - Components



Item	Qty	Component
1	1	Bottom Wall Bracket
2	1	Top Wall Bracket
3	2	Cover
4	1	Flexible Tidy
5	1	Handset Holder
6	2	Screw & Plug
7	1	Wall plate
8	1	Rail cap
9	1	Rail
10	1	Push Button Handset
11	2	Sealing Washers
12	1	Smooth Hose

Slide Rail - Installation

The screws and wall plugs supplied are only suitable for use in solid walls. If the wall is plaster board or soft building block use special wall plugs obtainable from most DIY stores.

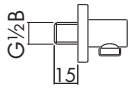
Ensure there are no supply pipes or cables where you intend to drill. Take care to use power tools safely.

Where possible, drill holes between ceramic tiles (in the grout). If drilling into ceramic tiles use a ceramic bit.

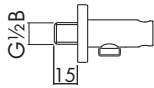
This product must always be used and fitted in such a way as not to cause water damage, therefore should be located and directed towards a suitable shower tray.

- Carefully remove the cover (3) from each wall bracket (1) and (2) to expose the fixing hole.
- Drill the 6 mm diameter hole for the bottom wall bracket (1).
- To avoid cracking ensure the wall plug is pushed all the way behind the ceramic tile.
- Using the 35 mm long screw (6) provided secure the wall bracket (1) to the wall.
- Slide the top wall bracket (2) with the wall plate (7) located onto the riser rail (9) and position in the bottom wall bracket (1).
- Position the upper bracket onto the wall ensuring the rail is vertical.
- Mark round the wall plate (7) onto the wall with a removeable marker.
- Position the wall plate (7) onto the wall within the markings and using the hole as a template, drill a 6 mm diameter hole.
- Assemble the handset holder (5) and the flexible tidy (4) onto the riser rail as illustrated.
- Remove the bottom wall bracket (1) from the wall.
- Locate the top wall bracket (2) onto the wall plate (7) and using the screw provided secure both item to the wall.
- Slide the riser rail (9) with the handset holder (5) and flexible tidy (4) upwards through the hole in the upper wall bracket (2).
- Position the bottom wall bracket (1) onto the riser rail ensuring that the larger hole at the bottom of the riser rail faces forward.
- Pass the screw provided through the riser rail and the bottom wall bracket and secure to the wall.
- Fit the covers (3) to the wall brackets and fit the cap (8) into the top of the riser rail.
- Ensure the sealing washers (11) are inserted into both ends of the flexible hose (12) and connect the hose to the shower valve and the handset (10).
- Turn on the shower valve and check joints for leakage.

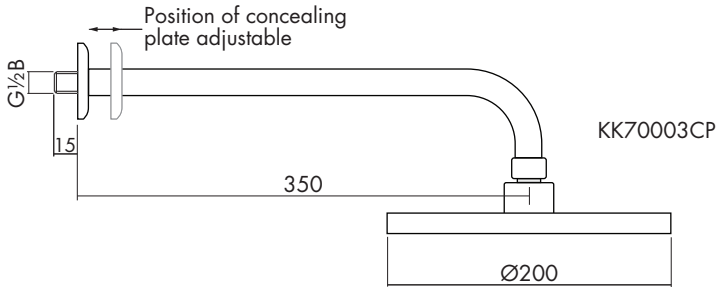
Water Outlets - Dimensions



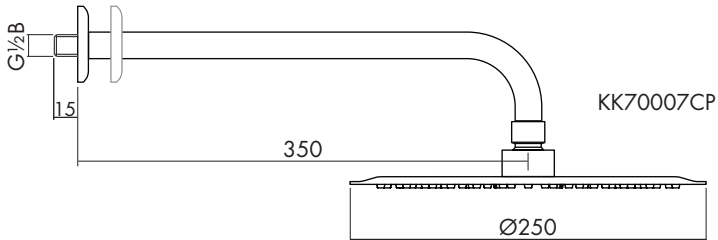
Wall elbow part of KK70002CP slide rail kit



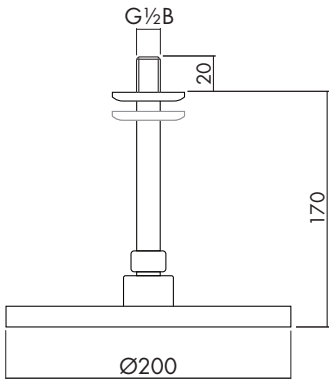
Wall elbow part of KK70001CP rinse station



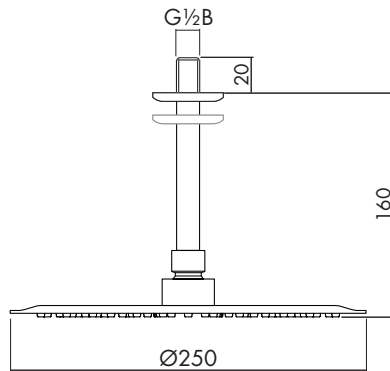
KK70003CP



KK70007CP



KK70004CP



KK70008CP

IMPORTANT

The following information is required when the thermostatic mixing valve is used in a TMV2 Applications under the requirements of BS EN 1111: 1999 "Sanitary tapware – Thermostatic Mixing Valve (PN 10) – General Technical Specification"

Supply Conditions

The supply conditions to the Thermostatic Mixing Valve must comply with the following;

Conditions	High Pressure ~ BS EN 1111
Maximum Static Pressure	10 bar
Flow Pressure, Hot & Cold	0.5 to 5 bar
Hot Supply Temperature	55 to 65°C
Cold Supply Temperature	≤ 25°C
Temperature Stability	± 2°C
Min Temp Differential (Mix to Hot) for fail-safe	10°C
Max. Pressure Inlet Differential	5:1

Note: Valves operating outside these conditions cannot be guaranteed by the Scheme to operate as type 2 valves.

- The valves designation of use, **HP** tested against BS EN 1111.
- For valves designated for use HP only, if a water supply is fed by gravity then the supply pressures should be verified to ensure the conditions of use are appropriate for the valve.

Introduction

The thermostatic shower valve has been specifically designed and manufactured to meet the requirements of BS EN1111:1999 and TMV2 Type Scheme. The valve has been independently tested and approved as a TYPE 2 valve under the BuildCert TMV2 scheme by the WRc Testing & Evaluation Center.

Application

The thermostatic shower mixer has been independently tested by WRc and certified as meeting the requirements of the BS EN 1111:1999 and under the TMV2 Scheme as being suitable for use on the following designations.

Shower **HP**

Recommended Outlet temperatures

The BuildCert TMV scheme recommends the following set maximum mixed water outlet temperature for use in all premises:

Application	Recommended Hot Water Temperature
Shower	41°C

The mixed water temperature must never exceed 43°C.

The maximum mixed water temperature can be 2°C above the recommended maximum set outlet temperature.

Note: 43°C is the maximum mixed water temperature from a shower mixer. The maximum temperature takes account of the allowable tolerances inherent in thermostatic shower mixers and temperature losses.

It is not a safe bathing Temperature for adults or children.

The British Burns Association recommends 37 to 37.5°C as a comfortable bathing temperature for children. In premises covered by the Care Standard Act 2000, the maximum mixed water outlet temperature is 43°C.

Installation

Important: - The following instructions must be read prior to the installation of the thermostatic shower valve. The installer of the thermostatic shower valve must comply with the requirements of the Water supply (Water Fittings) Regulations 1999 and also be aware of their responsibility and duty of care to ensure that all aspects of the installation comply with the regulations.

It has been brought to our attention that flushing water systems using certain chemicals may wholly or partially remove the lubricant from the internal workings of the valve, which may adversely affect its performance. We recommend that following flushing the system with chemicals; valves are checked for correct operation.

1. It is essential that before installing any thermostatic shower valve to ensure that the supply conditions of the system to which the valve is intended to be fitted are checked to confirm compliance with the parameters as quoted within the technical specification and conditions on which the approval is granted i.e. verify supply temperatures, supply pressures, risk assessment.
2. Consideration must be made for the possibility of multiple / simultaneous demands being made on the supply system whilst the thermostatic shower valve is in use, all practical precautions must be made to ensure that the valve is not affected. Failure to make provision within the pipe sizing etc. will affect the performance of the shower valve.

Installation

3. The supply to which the thermostatic shower valve is to be installed must be thoroughly flushed and cleaned to remove any debris, which may have accumulated during the installation. Failure to remove any debris will affect the performance and the manufacturer's warranty of the product. In areas that are subject to aggressive water, provision must be made to treat the supplies prior to the supplies entering the shower valve.
4. The thermostatic shower valve has been designed for horizontal installation and surface mounting.
5. The thermostatic shower valve will be installed in such a position that maintenance of its components, associated valves and the commissioning and testing of the shower valve can be undertaken.
6. The hot and cold water supplies must be connected to the valve strictly in accordance with the indications on the body of the valve i.e. hot water supply to the hot port of the valve.
7. In a situation where one or both of the water supplies are excessive, it is recommended to fit a Pressure Reducing Valve to reduce the pressure(s) to within the limits as quoted previously.
8. Any thermostatic shower valve must be fitted with a back flow prevention device, such as check valves to prevent the cross contamination of supplies. The thermostatic shower valve is supplied complete with integral insert check valves and strainers.
9. Isolation valves in an accessible position are required as close as is practicable to the water supply inlets of the thermostatic shower valve.
10. The fitting of strainers is recommended as close as is practicable to the water supply inlets of the thermostatic shower valve.
11. It is essential that the fail safe thermostatic shower valve should not be installed in situations where there is a possibility of the valve being deprived of water or where demands for water are greater than the actual stored supplies.
12. To ensure that the performance levels of the thermostatic shower valve are maintained (in the event of cold water failure), the temperature of the hot water supply at the point of entry to the thermostatic shower valve must be a minimum of 10°C above the commissioned mixed water discharge temperature.
13. The fail-safe thermostatic shower valve must not be subject to any extreme temperature variations either during the installation or under normal operating conditions.

Commissioning

Important: - The following instructions must be read and understood prior to commissioning the thermostatic shower valve. If under any circumstances there are aspects to the installation / system which do not comply with the specification laid down, the valve **MUST NOT** be put into operation until the system / installation complies with the specification. However if all these conditions are met, proceed to set the temperature as follows;

1. Ensure that the system is thoroughly cleaned and free from any debris prior to commissioning the thermostatic shower valve.
2. Commissioning the temperatures must be carried out using a suitably calibrated thermometer, preferably a digital thermometer. The sensing part of the thermometer probe must be fully submerged in the water when testing.
3. The valve must be commissioned taking into consideration any fluctuations, which may occur within the system due to simultaneous demands. It is advisable that any outlets which are connected to the same supply as the shower valve are open during setting of the mixed water temperature. It is advisable to ensure that the water temperatures are established before any attempt to commission.
4. Once the supply temperatures are stable and the normal operating conditions are established, the shower valve can be commissioned. The following sequence should be followed when commissioning the valve;
 - 4.1 The first step in commissioning a thermostatic shower valve is to check the following:
 - The designation of the thermostatic shower valve matches the application
 - The supply pressures are within the valve's operating range.
 - The supply temperatures are within the valve's operating range.
 - Isolating valves (and 'Y' strainers preferred) are provided.
 - 4.2 If all these conditions are met, proceed to set the temperature following the procedure described earlier in the Calibration section.
 - 4.3 Measure and record the temperature of the hot and cold water supplies at the connection to the valve.
 - 4.4 Measure and record the temperature of the water discharging from the valve.
 - 4.5 Isolate the cold water supply to the valve and monitor the mixed water temperature.
 - 4.6 Measure and record the maximum mixed water temperature and the final temperature. The final temperature found during the test should not exceed the values quoted.
 - 4.7 Record all the equipment used during the commissioning.
 - 4.8 The mixed water temperature at the terminal fitting must never exceed 2°C above the set temperature.

Commissioning

5. If the mixed water temperature exceeds the recommended temperature of 41 °C by 2°C or does not reach 41 °C the shower valve can be adjusted as follows:
 - 5.1 With stable supply conditions remove the temperature control knob.
 - 5.2 Rotate the temperature control knob by one spline clockwise to increase the temperature and one spline anticlockwise to reduce it.
 - 5.3 Measure the water discharging from the shower.
 - 5.4 Repeat 5.2 until the desired temperature is stabilised and record the temperature.
 - 5.5 Repeat 4.4 and 4.5
 - 5.6 Secure the temperature control knob with the retaining screw and re-fit the cover.
6. The above information must be recorded and updated on every occasion when any work is carried out on the valve.

In Service Testing

It is a requirement that all TMV2 approved valves shall be verified against the original set temperature results once a year. When commissioning / testing is due the following performance checks shall be carried out.

1. Measure the mixed water temperature at the outlet.
2. Carry out the cold water supply isolation test by isolating the cold water supply, wait for five seconds if water is still flowing check that the temperature is below 43°C.
3. If there is no significant change to the set outlet temperature ($\pm 2^{\circ}\text{C}$ or less from the original settings) and the fail-safe shut off is functioning, then the valve is working correctly and no further service work is required.

Notes:

- If there is a residual flow during the commissioning or the annual verification (cold water supply isolation test), then this is acceptable providing the temperature of the water seeping from the valve is no more than 2°C above the designated maximum mixed water outlet temperature setting of the valve.
- Temperature readings should be taken at the normal flow rate after allowing for the system to stabilise.
- The sensing part of the thermometer probe must be fully submerged in the water to be tested.
- Any thermostatic shower that has been adjusted or serviced must be re-commissioned and re-tested in accordance with the manufacturers' instructions

Notes:

Notes:

Notes:

inta

Please leave this Manual for the User

To activate your product warranty please visit

www.intatec.co.uk

and click on Product Registration

inta

Intatec Ltd

Airfield Industrial Estate

Hixon

Staffordshire

ST18 0PF

Tel: **01889 272 180**

Fax: **01889 272 181**

email: **sales@intatec.co.uk**

web: **www.intatec.co.uk**

E & O.E

© Intatec Ltd 2017

14-08-17