

shower valves - Puro Thermostatic Shower

inspiration,
performance
and peace of mind,
protection



Introduction

The all new Puro collection from Inta is defined by the unique contemporary styling of the handles, oversized soaker and multi-function eco air handset. The Puro range is the ultimate combination of form and function featuring safe touch valve bodies and Inta's proven anti-scald thermostatic technology. Bring inspiration, performance and peace of mind protection to your bathroom with Inta's Puro range.

- Operating pressure range of 0.2 to 5 bar
- Slim eco air handset
- Safe touch body
- Thermal cartridge technology
- Temperature stability of +/-2°C
- Fail safe on hot and cold supplies
- Suitable for use with unvented supplies, combi boilers, gravity and mains pressure systems
- TMV2 & WRAS approved (valve PU10010CP)



Product Range

Description	Code
Puro safe touch thermostatic shower complete with flexible slide rail and eco air handset.	PU10031CP

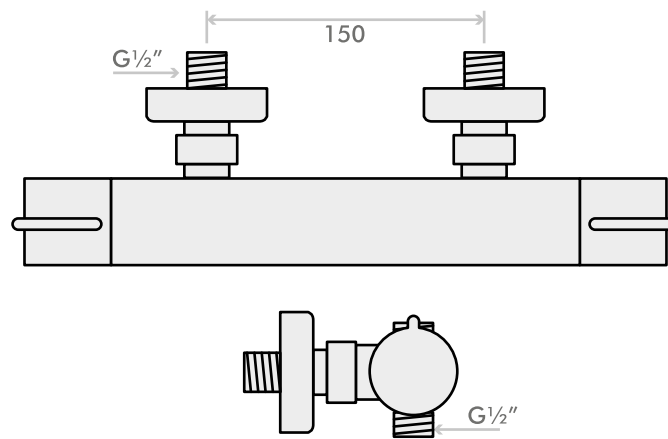


(valve PU10010CP)

shower valves - Puro Thermostatic Shower

Technical Specification

Max Inlet Pressure static	5 Bar
Min Inlet Pressure dynamic	0.2 Bar
Max Inlet Temperature	85°C
Factory Pre-set Temperature	38°C with max temp stop
Inlet Connections for PU10031CP	G 1/2" M (offset connector)
Outlet Connections	G 1/2" BSP (bottom)
Min Temperature to achieve hot or cold failsafe	15°C
System Installation	Unvented, Pressurised, Gravity and Combination Boilers



PU10031CP Flow Rate Graph

