

shower valves - Plus Thermostatic Bar Shower

Introduction

The Plus combines a clean, simple style with Inta's thermostatic protection. Practical and elegant, the Plus range can be used to enhance the appeal of the bathroom setting whilst protecting those who use the bath or shower.

thermostatic protection

- Suitable for use with unvented supplies, combi boilers, gravity and mains pressure systems
- Thermal cartridge technology
- Temperature stability of $\pm 2^{\circ}\text{C}$
- Fail safe protection on both the hot and cold supplies
- Operating pressure range of 0.2 to 5 bar
- High flow rates
- WRAS and TMV2 approved
- Available with fast fix brackets



plus thermostatic bar shower with flexible slide rail kit
2001445CPB

plus thermostatic bar shower with fast fix brackets & flexible slide rail kit
PL10016CP

Product Range

Description	Code
Plus thermostatic bar shower with flexible slide rail kit	2001445CPB
Plus thermostatic bar shower	20014CP
Plus thermostatic bar shower with fast fix brackets & flexible slide rail kit	PL10016CP
Flexible slide rail kit	31665CPA



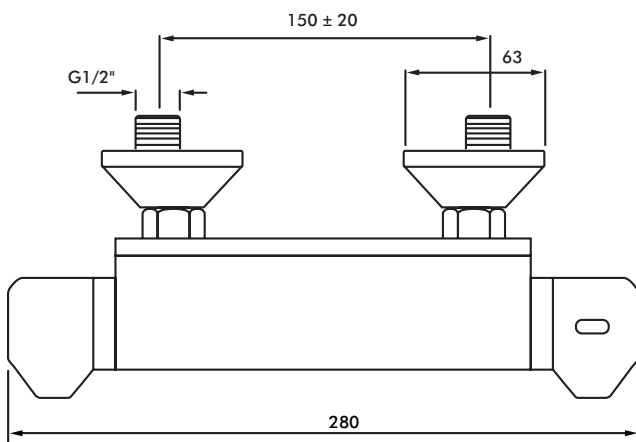
shower valves - Plus Thermostatic Bar Shower

Features

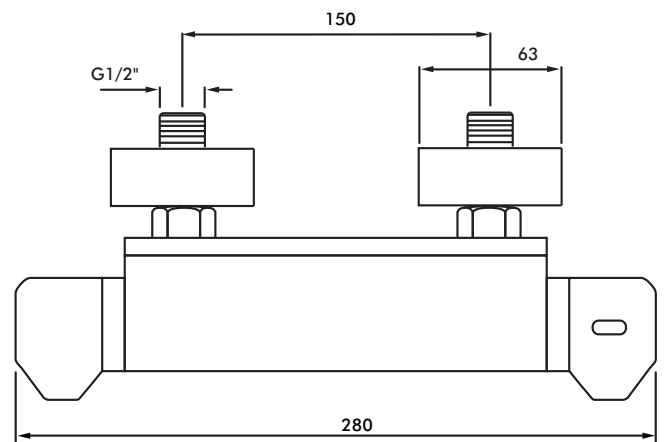
Technical Specification

Max Inlet Pressure (static)	5 Bar
Min Inlet Pressure (dynamic)	0.2 Bar
Max Inlet Temperature	85°C
Factory Pre-set Temperature	38°C with max temp stop
Inlet Connections	G 3/4" F BSP (valve body)
Outlet Connections	G 1/2" F BSP
Min Temperature differential to achieve hot or cold failsafe	15°C

System Installation: Unvented, Pressurised, Gravity and Combination Boilers



2001445CPB



PL10016CP

