



Product

90032CP - Acura Thermostatic Concealed Sequential Control Shower

Technical Specification

Max Inlet Pressure (static):	10 Bar
Min Inlet Pressure (dynamic):	0.2 Bar
Max Inlet Temperature:	85°C
Factory Pre-set Temperature:	41°C with max temp stop
Temperature Stability:	+/-2°C
Inlet Connections:	15mm Compression
Outlet Connections:	15mm Compression
Min temperature differential between hot inlet and mixed outlet to achieve cold water failsafe:	10°C
Max Inlet Pressure Ratio:	5:1



Additional Information

Long lever to aid users with limited dexterity

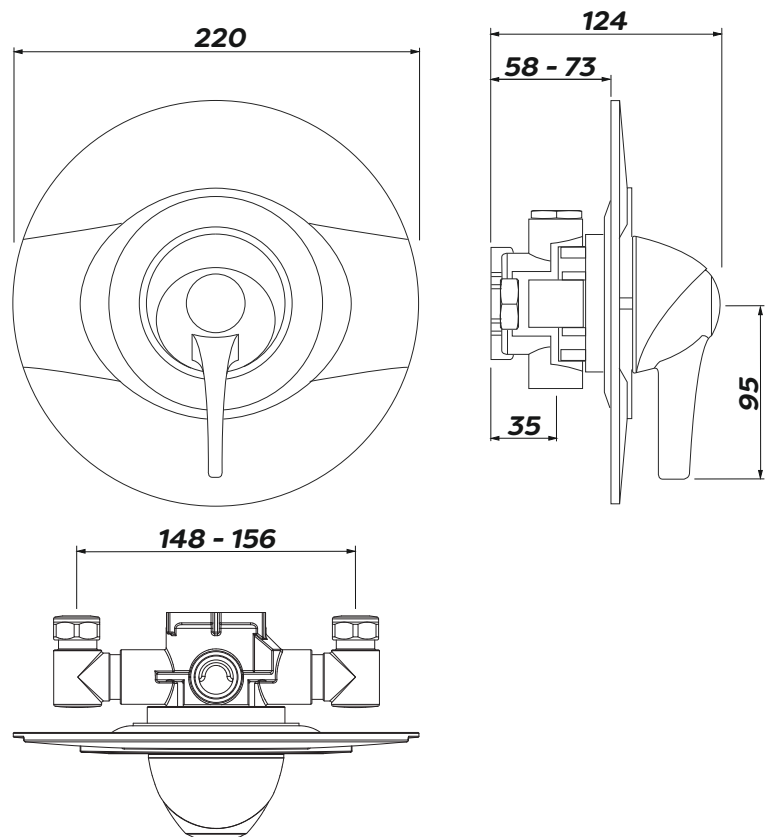
Inclusive design provides function without clinical aesthetics

Thermostatic sequential control

Anti-scald cold water fail-safe technology

WRAS & TMV3 Approved (HP only)

Satin finish indice and raised temperature indicator to aid visually impaired



Intatec, Airfield Industrial Estate, Hixon, Stafford, ST18 0PF

T. 01889 272180 F. 01889 272181 E. sales@intatec.co.uk

www.intatec.co.uk