



Product

AC50010CP - Acura Thermostatic Bath Filler Wall Mounted

Technical Specification

Max Inlet Pressure (static):	5 Bar
Min Inlet Pressure (dynamic):	0.2 Bar
Max Inlet Temperature:	85°C
Factory Pre-set Temperature:	43°C with max temp stop
Temperature Stability:	+/-2°C
Inlet Connections (Valve Body):	G3/4" F BSP
Min temperature differential to achieve hot or cold failsafe:	15°C
System Installation:	Unvented, Pressurised, Gravity & Combination



Additional Information

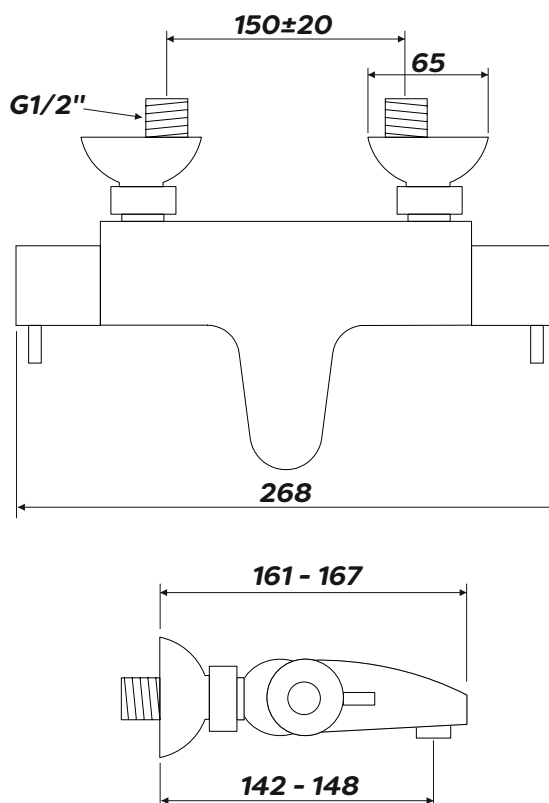
Lever handles to aid users with limited dexterity

Thermostatic cartridge

Anti-scald fail-safe technology

Wall & deck mounted version available

Independent control of temperature and flow



Flow Rates

Pressure (Bar)	0.25	0.5	0.75	1.0	1.5	2.0	2.5	3.0
Bottom Outlet (L/m)	4.9	7.4	8.2	9.2	14.9	17.8	20.6	22.0

