

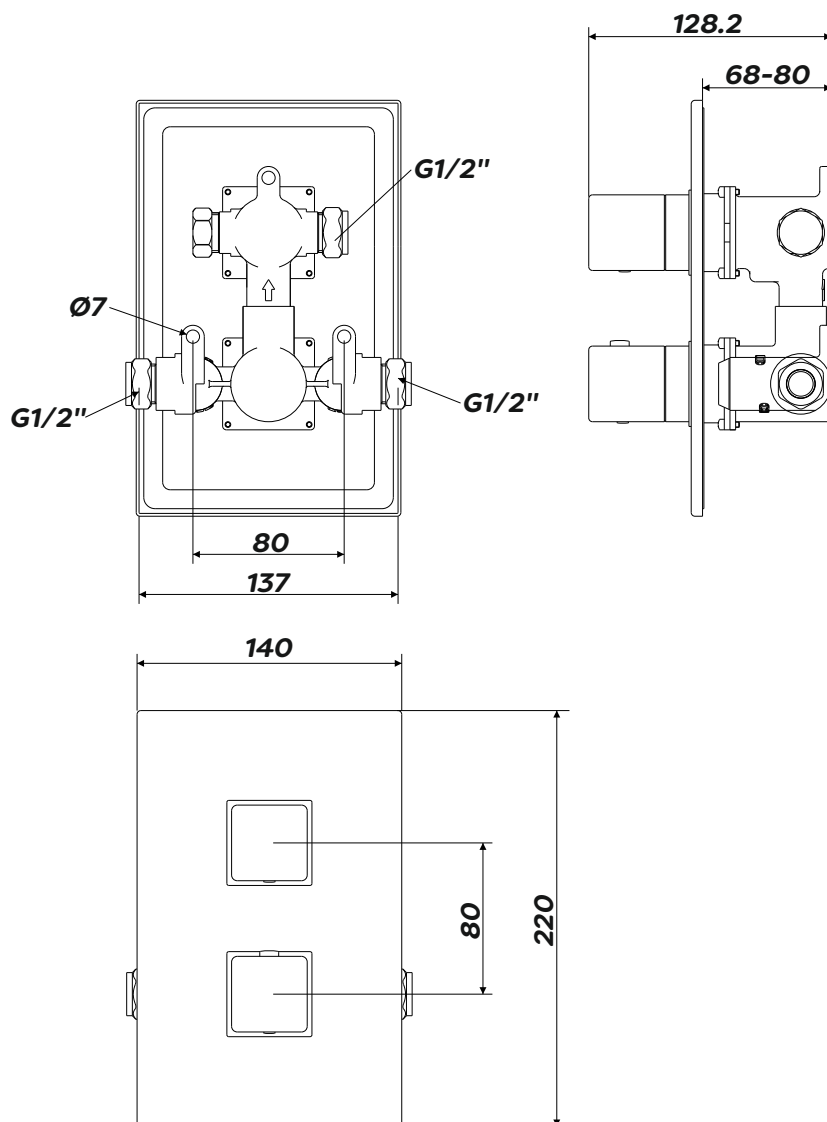


## Product

**CB40010CP - Nulo Concealed Thermostatic Shower Single Outlet**

## Technical Specification

<b>Max Inlet Pressure (static):</b>	<b>10 Bar</b>
<b>Min Inlet Pressure (dynamic):</b>	<b>0.2 Bar</b>
<b>Max Inlet Temperature:</b>	<b>85°C</b>
<b>Factory Pre-set Temperature:</b>	<b>38°C with max temp stop</b>
<b>Temperature Stability:</b>	<b>+/-2°C</b>
<b>Inlet Connections:</b>	<b>15mm</b>
<b>Outlet Connections:</b>	<b>15mm</b>
<b>Min Temperature Differential Between Hot Inlet &amp; Mixed Outlet to Achieve Cold Water Failsafe:</b>	<b>10°C</b>



## Additional Information

**Thermostatic Protection**

**Minimalistic Style**

**Range of Shower Kits to Suit**

**Concealed Outlet**

**Easy to Operate Sequential Handles**

**TMV2 Approved**

**WRAS Approved**



Scan for Installation & Maintenance Instructions

**Intatec, Airfield Industrial Estate, Hixon, Stafford, ST18 0PF**

**T. 01889 272180 F. 01889 272181 E. [sales@intatec.co.uk](mailto:sales@intatec.co.uk)**

**[www.intatec.co.uk](http://www.intatec.co.uk)**

05/22  
E&OE