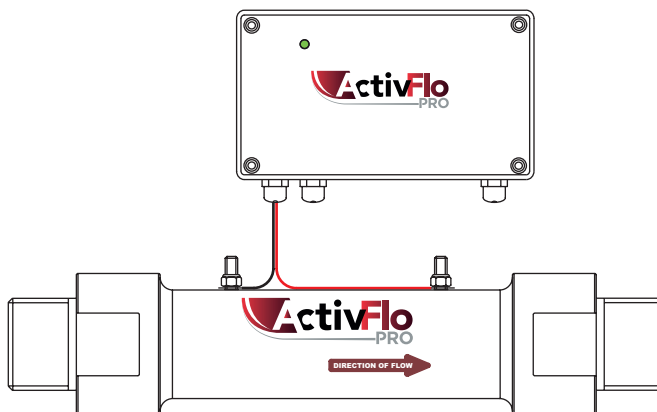




# ActivFlo Pro Commercial Water Conditioner Installation Instructions



In this procedure document we have endeavoured to make the information as accurate as possible.

We cannot accept any responsibility should it be found that in any respect the information is inaccurate or incomplete or becomes so as a result of further developments or otherwise.

**Intatec Ltd**  
Airfield Industrial Estate  
Hixon  
Staffordshire  
ST18 0PF

Tel: **01889 272 180**  
Fax: **01889 272 181**  
email: **sales@intatec.co.uk**  
web: **www.intatec.co.uk**

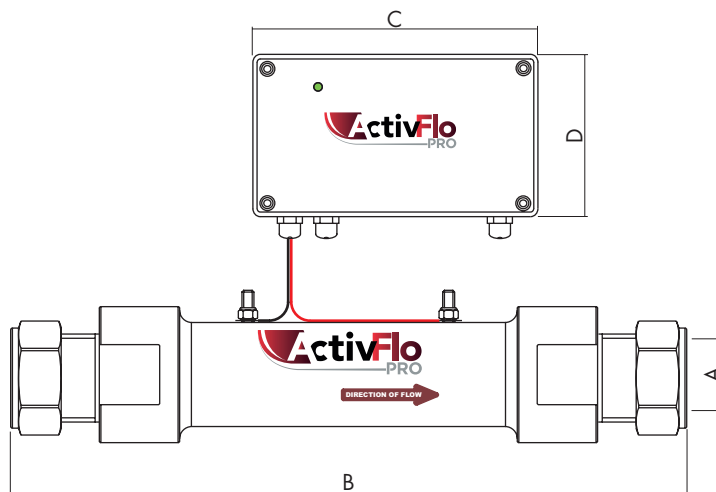
## Introduction

The ActivFlo Pro Commercial range of water conditioners have been designed and engineered for whole system protection. Simply match the operating flow rate of the ActivFlo Pro to that of the incoming flow rate to the requirement of your installation.

The ActivFlo Pro range has a power regulator for added performance which help to improve the efficiency of the heating system.

For maximum protection we recommend to install your ActivFlo Pro onto the incoming mains supply prior to any draw off points, this helps guarantee optimum performance for all system components

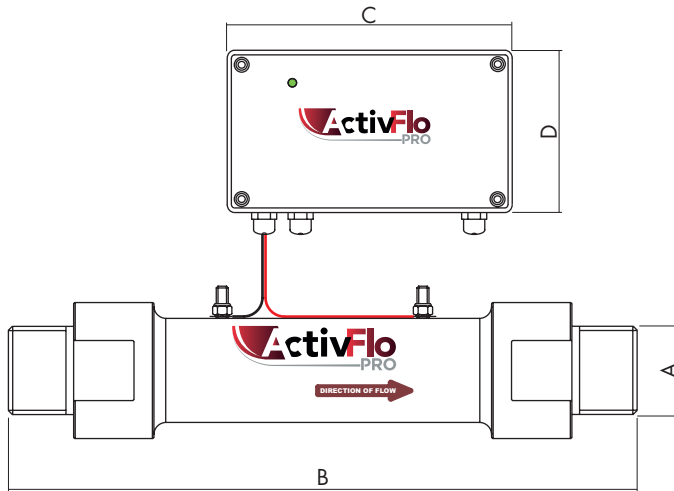
## Dimensions - Compression



Not to scale

Model No.	A - Nominal Size	B	C	D
AFP22PR	22	200	150	80

## Dimensions - Threaded



Not to scale

Model No.	A - Nominal Size	B	C	D
AFP34PR	¾"	200	150	80
AFP10PR	1"	305	150	80

## Installation

To ensure optimum performance of the ActivFlo Pro Commercial it is recommended that sizing and selection are completed using the selection chart, see page 3 of this leaflet.

Once sized correctly, the ActivFlo Pro should be installed on the incoming water main supplying the property, immediately after the stop-valve and before any draw off points or heating equipment.

The ActivFlo Pro Commercial can be installed into new or existing systems using the flanged connections and following the procedure below;

- Before commencing turn off the water supply and drain the section of pipework into which the ActivFlo Pro is to be installed (existing systems).
- Cut out a suitable length of tube from the pipework.

## Installation - Compression



- Ensure that the ActivFlo Pro is installed with the flow direction arrow pointing in the same direction as the water flow.
- Make and tighten both compression joints.
- Turn on the water supply and check to ensure water tight joints.

## Installation - Threaded



- Ensure that the ActivFlo Pro is installed with the flow direction arrow pointing in the same direction as the water flow.
- Using two female connectors (not supplied) install the ActivFlo into the pipe and make water tight joints.
- Other fittings may be used to connect to different types of pipe.
- Turn on the water supply and check to ensure water tight joints.

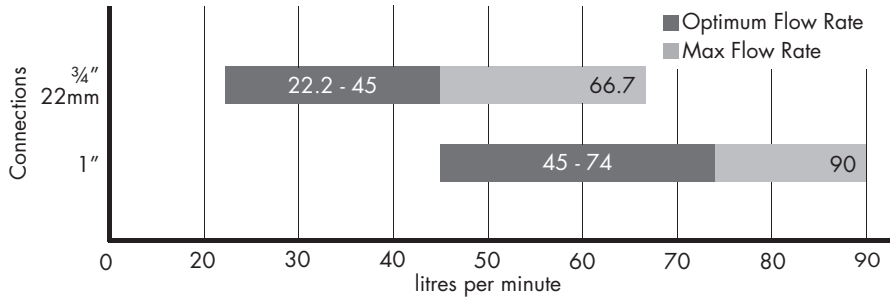
Install the power regulator in a convenient place close to the ActivFlo Pro and using the cables provided connect the power regulator to the terminals on the ActivFlo Pro.

See the Power Regulator for details on page 4.

## ActivFlo Pro

Maximum operating Temperature:	99°C
Insulation will be required below:	0°C
Maximum pressure:	16 bar
Minimum pressure:	0.1 bar

## Operational Flow Rates



## Power Regulator

Activflo Pro Power Regulator has is mains powered which is transformed down to a low 3.3 volt output, which is then distributed across the Activflo Pro Water Conditioner by use of the connection points.

This is to provide an additional voltage to the internal coil for maximum water precessing on installations where a large volumes of water is flowing during short periods of time.

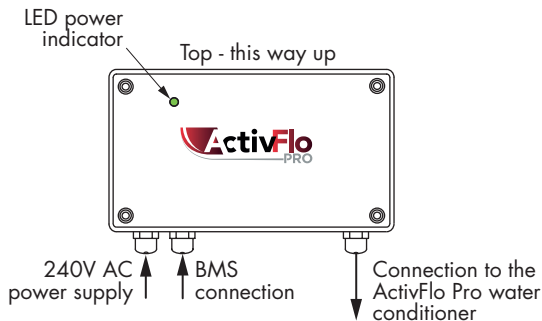
Activflo Pro Power Regulator also has the function to accept BMS connection which indicates to the operator that the unit has power and is operating, also indicated by an LED on the front of the unit as seen below.

## Power Regulator Technical Specification

Input Voltage: 230V

Output Voltage: 3.3V

## Power Regulator Features



## Power Regulator Installation

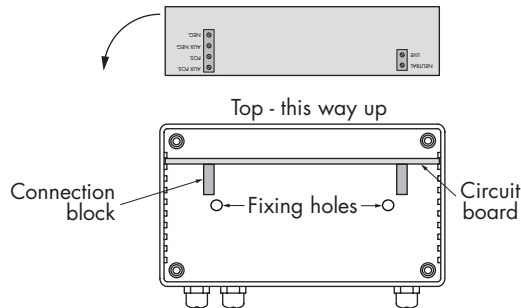
The power regulator should be installed on a vertical wall or surface with the cable entry points at the bottom as shown.

There are two fixing holes in the back box which should be used to secure the power regulator to the wall or vertical surface.

Remove the cover plate to expose the two fixing holes and the connectors on the circuit board.

Using the two fixing holes as a template, mark the position of the required holes and drill suitable sized holes for the fixing screws (not supplied).

All electrical wiring should be undertaken by a qualified electrician and must conform to EEI regulations.



The circuit board can be slid out of the back box to make electrical connections easier.

Make the electrical connections as indicated on the circuit board, do not over tighten the connection blocks.

With the circuit board upside as shown, rotate it 90° back into the horizontal and slid it back into the upper position in back box.

Refit the front cover and connect the power supply.



## **Please leave this Manual for the User**

To activate your product warranty please visit

**[www.intatec.co.uk](http://www.intatec.co.uk)**

and click on Product Registration

**Intatec Ltd**

Airfield Industrial Estate

Hixon

Staffordshire

ST18 0PF

Tel: **01889 272 180**

Fax: **01889 272 181**

email: **[sales@intatec.co.uk](mailto:sales@intatec.co.uk)**

web: **[www.intatec.co.uk](http://www.intatec.co.uk)**

E & O.E

© Intatec Ltd 2022

30-05-22