

## Intaccept Shower Arms

**stylish robust design**  
**ideal for commercial use**

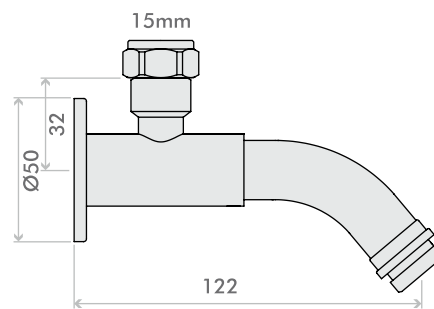
- Easy installation
- Stylish, eye catching looks
- Robust, agile design



- MIN OPERATING PRESSURE: 0.5 BAR DYNAMIC
- MAX OPERATING PRESSURE: 5 BAR STATIC
- MAX INLET TEMPERATURE: 65°C

### Product Range

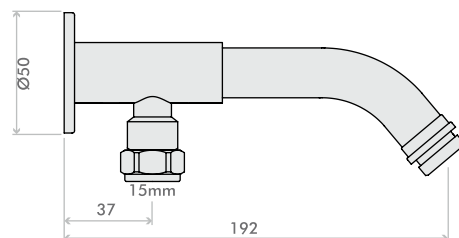
| Description                    | Code    |
|--------------------------------|---------|
| intaccept top entry shower arm | IN902CP |



- MIN OPERATING PRESSURE: 0.5 BAR DYNAMIC
- MAX OPERATING PRESSURE: 5 BAR STATIC
- MAX INLET TEMPERATURE: 65°C

### Product Range

| Description                       | Code    |
|-----------------------------------|---------|
| intaccept bottom entry shower arm | IN904CP |



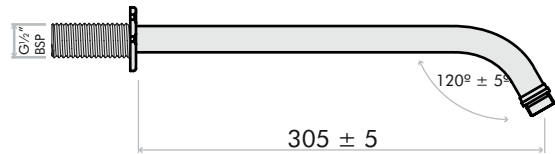
## Intacept Shower Arms



- MIN OPERATING PRESSURE: 0.5 BAR DYNAMIC
- MAX OPERATING PRESSURE: 5 BAR STATIC
- MAX INLET TEMPERATURE: 65°C

### Product Range

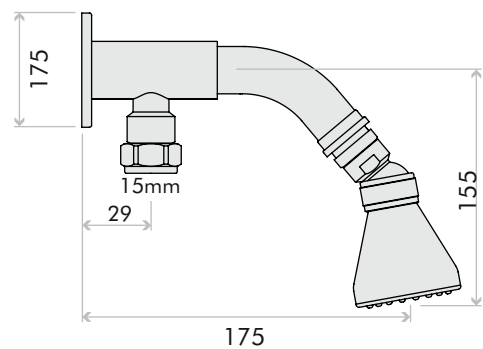
| Description                    | Code    |
|--------------------------------|---------|
| intacept back entry shower arm | IN907CP |



- MIN OPERATING PRESSURE: 0.5 BAR DYNAMIC
- MAX OPERATING PRESSURE: 5 BAR STATIC
- MAX INLET TEMPERATURE: 65°C

### Product Range

| Description   | Code    |
|---|---------|
| intacept bottom entry shower with rub clean shower head | IN930CP |



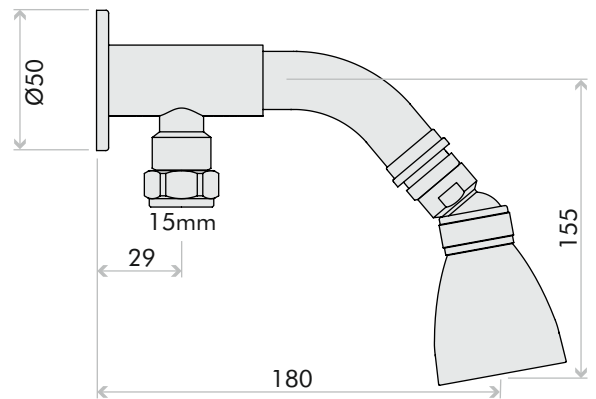
## Intaccept Shower Arms



- MIN OPERATING PRESSURE: 0.5 BAR DYNAMIC
- MAX OPERATING PRESSURE: 5 BAR STATIC
- MAX INLET TEMPERATURE: 65°C

### Product Range

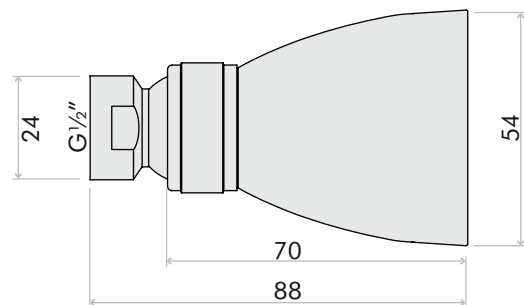
| Description                    | Code    |
|--------------------------------|---------|
| intaccept top entry shower arm | IN940CP |



- MIN OPERATING PRESSURE: 0.5 BAR DYNAMIC
- MAX OPERATING PRESSURE: 5 BAR STATIC
- MAX INLET TEMPERATURE: 65°C

### Product Range

| Description                                 | Code     |
|---|----------|
| intaccept anti scale shower head (standard) | IN9100CP |

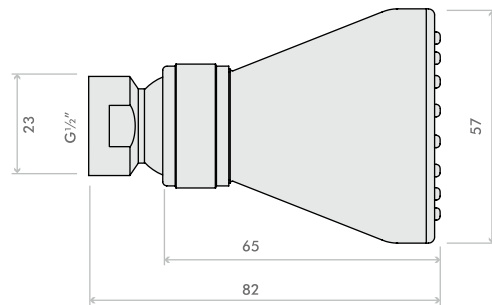


## Intcept Shower Arms



### Product Range

| Description                   | Code     |
|-------------------------------|----------|
| intcept rub clean shower head | IN9200CP |



- MIN OPERATING PRESSURE: 0.5 BAR DYNAMIC
- MAX OPERATING PRESSURE: 5 BAR STATIC
- MAX INLET TEMPERATURE: 65°C

