

# inta

---

## Electronic Basin Mounted Tap

### Perfect Time

## Installation and Maintenance Instructions



# inta

**Intatec Ltd**

Airfield Industrial Estate

Hixon

Staffordshire

ST18 0PF

In this procedure document we have endeavoured to make the information as accurate as possible.

We cannot accept any responsibility should it be found that in any respect the information is inaccurate or incomplete or becomes so as a result of further developments or otherwise.

© Intatec Ltd 11/2011

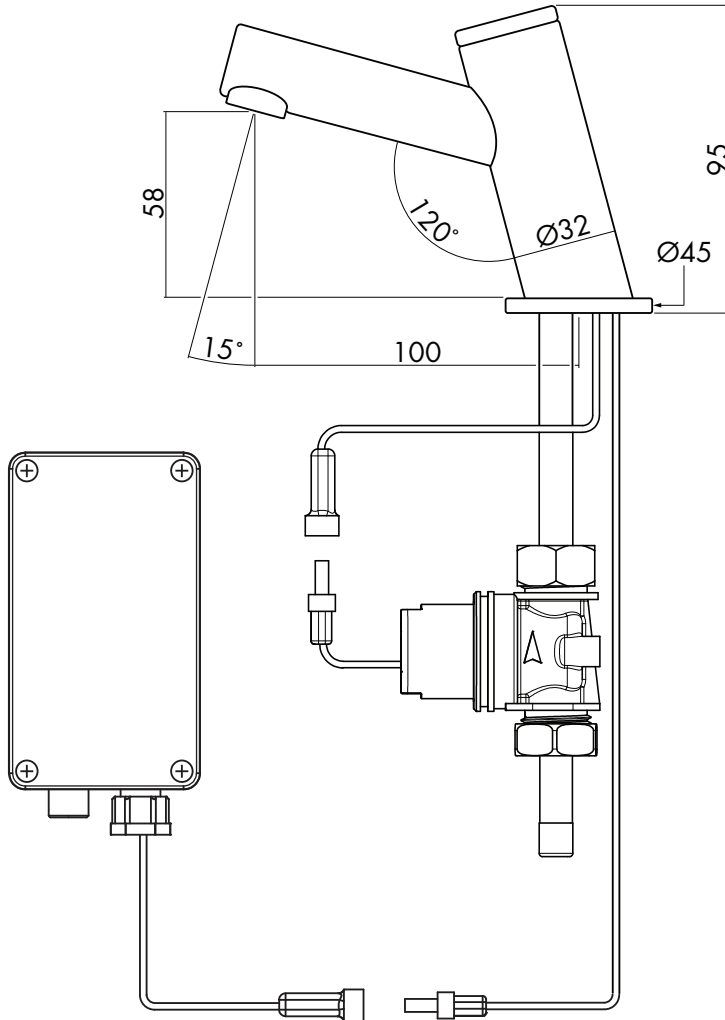
Tel: **01889 272 180**

Fax: **01889 272 181**

email: **sales@intatec.co.uk**

web: **www.intatec.co.uk**

## Technical Data

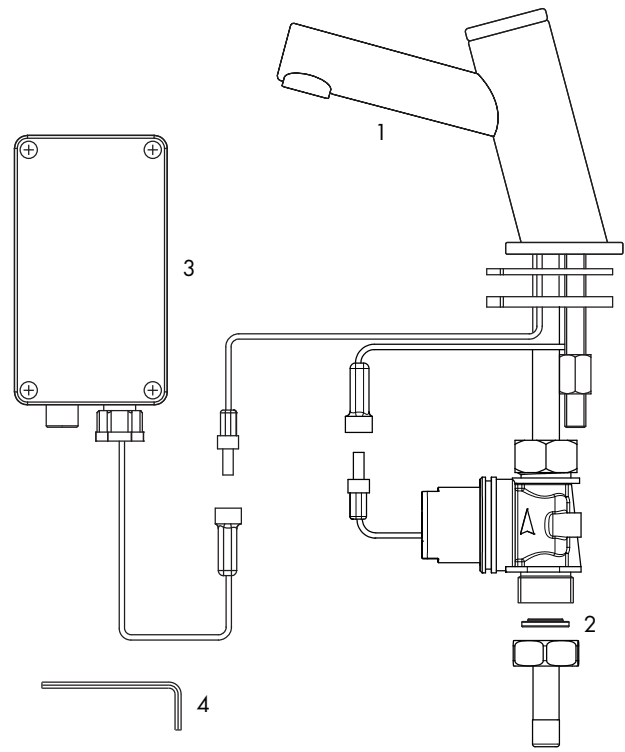


## Technical Data

Product control:	Touch using Piezo technology
Installation:	Basin mounted
Hot water temperature:	70° C maximum
Water pressure:	1.0 to 8.0 bar (14.5 to 116 psi) With water pressure in excess of 8 bar use with a pressure reducing valve
Power specification:	9V low voltage system
Power source:	6 x 1.5 AA batteries Alternatively: 1 x 9V battery 240V conversion kit (IR163CP only)
Default flow time:	8 seconds
Programmable Flow Time:	1 to 60 seconds
Maximum Flow:	6 l/min flow regulator contained in diffuser

## Pack Contents

Item	Qty	Components
1	1 x	Tap and attachments
2	1 x	Filter
3	1 x	IP67 battery box
4	1 x	Allen key 2mm



## Pre Installation

### Check Contents

Before commencing remove all components from packaging and check each component with the contents list.

Ensure all parts are present, before discarding any packaging. If any parts are missing, do not attempt to install your Inta electronic tap until the missing parts have been obtained.

### Preparation for Installation

Flush the water supply pipes thoroughly prior to installation. Do not allow debris, PTFE tape or any metal particles to enter the tap.

Turn off the water supply.

### Important -

All plumbing is to be installed in accordance with applicable codes and regulations.

## Operation

To operate Perfect Time, simply touch the designated area on the Piezo cap, the tap will open and water will start to flow.

To turn off the tap before the flow time has expired touch the cap again in the designated area.



## Installation

### Step 1 - Preparation for mounting the tap

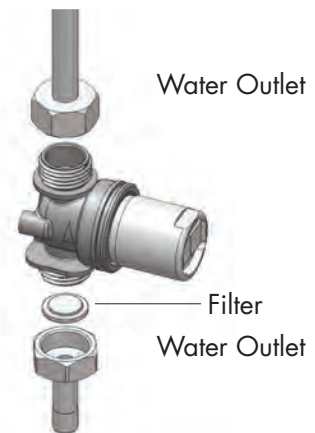
1. Shut off the water supply and remove the hexagonal nut, washer and gasket from the threaded inlet, Do not remove the 'O' ring from the base of the tap.

### Step 2 - Installing the tap

1. Position the tap with the 'O' ring located in the base into the hole in the basin or water proof work surface. Ensure the 'O' ring is located correctly.
2. Slide the gasket over the flexible hose.
3. Secure the tap to the basin or work surface using the hexagon nut and disk.

### Step 3 - Connecting the water supply

1. A service ball valve must be installed in the supply pipe to enable the tap to be isolated for servicing should it be required.
2. Connect the pipe from the tap to the solenoid valve and then from the solenoid valve to the service ball valve. Ensure the flow direction through the solenoid valve is the same as indicated by the arrow on the valve body.
3. Ensure that the filter is assembled between the inlet joint and the solenoid valve.



### Step 4 - Connecting the power supply

1. Install the battery box on the wall under the basin using the screws provided or the two sided adhesive foam tape.
2. Turn on the water supply and check all joints for leakage.
3. Isolate via the service ball valve and tighten or remake joints if leakage occurs.

### Step 4 - IR163CP only

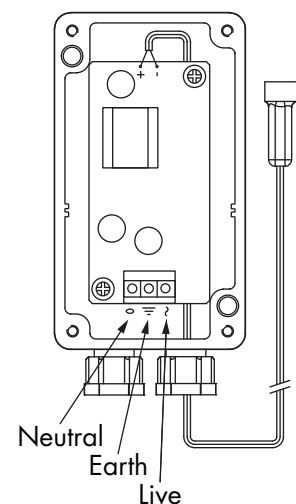
1. The IR06530021 electronic 240V conversion kit is only to be used with the IR163CP in lieu of the 9V DC standard battery pack.
2. Install the transformer box on the wall under the basin using the screws provided or the two sided adhesive foam tape.
3. Connect the electricity supply using the second connection point and connect as shown.

Input Characteristics - 100 or 240V  
 - 50 to 60 Hz

Output Characteristics - Voltage =  $9V \pm 5\%$   
 - Load Current = 300mA

### IMPORTANT:

This product must be installed by a suitably qualified and competent person carrying the relevant current IEE electrical qualification.



## Flow Time Adjustment

### Adjustment levels

The flow time is programmable after installation.

If necessary, the default flow time of 3 seconds can be adjusted to a maximum of 20 seconds.

The Perfect Time adjustment mechanism is composed of 3 adjustment levels for changing the flow time. An indicator light (LED) will guide you from one level to the next.

In each adjustment level the flow time can be changed by incremental steps. The following table shows the number of steps in each level, the increment of each step and how to recognise in which adjustment level you are in.

	Level 1	Level 2	Level 3	Out of adjusting mode
No of steps	10 steps	10 steps	2 steps	
Seconds to be increased by touching once	1 second	2 second	15 second	
Adjustment level indicator	After entering into the adjustment mode level 1 is reached	Indicator light flashes twice	Indicator light flashes 3 times	Indicator light flashes 4 times

The following example shows how to manage the adjustment levels:

#### Example 1: You wish to adjust the flow time to 20 seconds.

At level 1 perform 3 steps of 1 second (you will get 3 seconds).

Go to level 2 and perform 1 step of 2 seconds (you will get 2 seconds).

Go to level 3 and perform 1 step of 15 seconds (you will get 15 seconds).

Total: 3 seconds.

Total: 5 seconds.

Total: 20 seconds.

### How to adjust the flow time

1. Disconnect the power supply between the battery box and tap.
2. Using the Allen key unscrew the socket screw and remove the Piezo cap as shown.
3. Touch the Piezo cap on the normal face with the markings, now on the underside, to empty all the power remaining in the cap.
4. Wait ten seconds before re-connecting the power supply.



## How to adjust the flow time

5. The indicator light (LED) on the under side of the Piezo cap as shown (normally hidden) will start flashing. After a few flashes the LED will give a steady red light. When this happens enter the adjustment mode at level 1 by touching the normal face of the Piezo cap within a few seconds.
6. By touching the Piezo cap the new flow time will be programmed. In adjusting mode level 1, each touch of the Piezo cap will increase the flow time by 1 second. The LED will flash every time the Piezo cap is touched to perform a new step.
7. If the desired flow time is within 10 seconds, no other adjusting levels are needed and you can stop pressing the Piezo cap. The LED will flash 2 times followed by 3 times and 4 times after which you will have left the adjusting mode. The tap is now set to the desired flow duration.
8. To perform steps at adjustment level 2, wait until the LED has flashed twice, then touch the Piezo cap the required number of times, with a maximum of 10 steps of 2 seconds.
9. If level 3 is not required stop pressing, the LED will flash 3 times and then after a further 4 times, you will have left the adjusting mode. The tap is now set to the desired flow duration.
10. To perform steps at adjusting level 3, wait until the LED has flashed 3 times, then touch the Piezo cap the required number of times, with a maximum of 1 steps of 15 seconds.
11. To leave the adjusting mode wait until the LED has flashed 4 times, the tap is now set to the desired flow duration.
12. Replace the Piezo cap into the tap body and re-tighten the retaining screw.

## Low Battery Indicator

The Perfect Time tap has an advanced battery level management system consisting of 2 steps.

The first step is activated when the battery reaches a level of 7.7 volts, At this point the battery still has enough power to open and close the solenoid valve. The battery level management system allows the solenoid valve to open, but will activate the LED warning light at the back of the Piezo cap. The LED will flash twice when the battery management system has activated level 1.

The second step is activated when the battery might not have enough power to open and close the solenoid valve. The battery management system does not allow the solenoid valve to open, instead it provides 2 closing pulse. The LED warning light will flash 3 times when the battery manage system has activated level 2.

## Battery replacement instructions

1. Carefully open the battery box.
2. Remove the old batteries.
3. Replace the used batteries with 6 new 1.5 V AA batteries.
4. Close the box.

# inta

---

## Service Check List



**No water is coming out of the**

**Check the flow time.** If it needs adjusting follow the instructions on pages 4 and 5.

**Check the solenoid valve.** If debris or scale are present, unscrew the solenoid valve, pull out the plunger and the spring and clean them and remove any debris present.

Use scale remover if required. When replacing the spring make sure that it is in vertical position.



**Water flow diminished**

**Check the batteries.** Low or used batteries, replace with new, see page 5.

**Check the flow time,** see pages 4 and 5.

**Check the connection** between the Piezo cap connector and the solenoid connector.

**Check the battery box** is correctly connected.

**Check the solenoid valve.** If debris or scale are present, unscrew the solenoid valve, pull out the plunger and the spring and clean them and remove any debris present.

Use scale remover if required. When replacing the spring make sure that it is in vertical position.

**Check the diaphragm.** If needed, clean the orifice or replace it.

**Check the water supply pressure.** It must be 0.5 to 8.0 bar (7 to 116 psi). With water pressure of more than 8 bar, fit a pressure reducing valve.



**Water flow does not stop**

**Check the filter.** If needed, remove and clean it, see page 6.