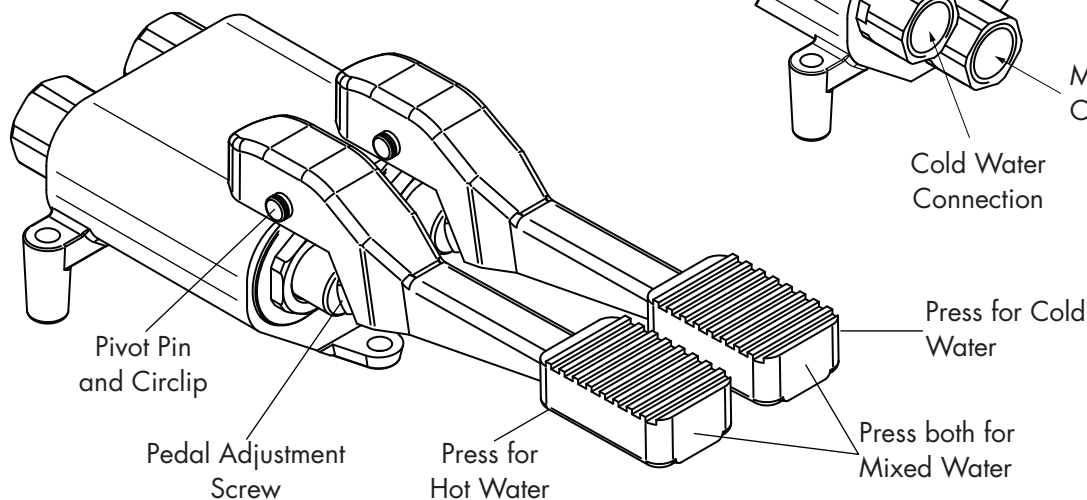


## LO801CP Floor Mounted Pedal Mixing Valve

### Operating Conditions

Max. Inlet Pressure:	5 bar
Min. Inlet Pressure:	0.2 bar
Max. temperature:	65 °C
Connections:	G 1/2"



### Water Byelaws

The installation must be carried out in accordance with the Water Supply (Water Fittings) Regulations 1999 and any local authority regulations.

**In order to prevent scalding the hot water supply should be connected to the mixer via a thermostatic mixing valve.**

It is recommended that a service valve and strainer is installed in the cold water supply pipe and the thermostatic mixing valve should have connections containing an isolating valve and filter, in order to isolate the mixer should servicing be required in the future.

### Installation

All installations should be thoroughly flushed to remove any debris that may affect the performance of the mixer.

The mixer should be mounted on a tiled or water proof floor surface.

Position the mixer under the sink or basin ensuring that it can be operated easily whilst not being a trip hazard on the floor.

Mark the position of the front central hole, drill and fix to the floor.

Using the two rear holes as a template drill holes and fix securely to the floor.

Connect the hot and cold supply pipes and the mixed water outlet pipe as shown.

Turn on the water supplies, operate the mixer and check all joints for leakage.

### Aftercare

Clean periodically with a soft cloth and mild detergent.

If abrasive or strong cleaners are used to clean the floor avoid splashing or excessive contact.