

Foot operated floor mounted pedal mixing tap

Introduction

The Inta range of foot operated valves allows the user to deliver hot, cold or mixed temperature water in a controlled and hygienic way. The valves are simple to install, easy to use, vandal resistant and durable making them ideal for wide range of applications

delivers water in a
controlled and
hygienic way

- Individual pedal control of hot and cold water
- Hygienic
- Robust construction
- Durable
- Easy to install

Product Range

Description	Code
Foot operated floor mounted mixing valve with stop for continuous flow	LO803CP



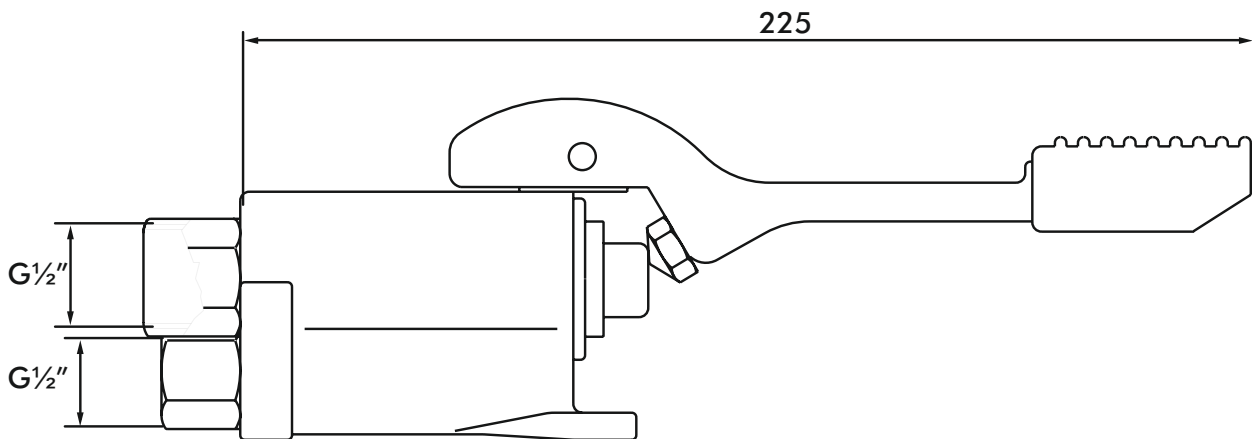
LO803CP

Foot operated floor mounted pedal mixing tap

Features

■ Technical Specification

Max inlet pressure	8 bar
Min inlet pressure	0.5 bar
Inlet temperature range	5-70°C
Inlet connections	G1/2" (x2)
Outlet connections	G1/2"



■ inspiring confidence

inta