

## Vandal Resistant Shower Panel

### Introduction

The Intatec range of vandal resistant shower panels is designed for use within commercial applications such as schools, prisons, sports centres etc. The robust construction and high quality of materials used makes it ideal for use in hostile or high use environments.

designed for use  
in **commercial  
washrooms**



- High grade stainless steel
- WRAs Approved timed flow control
- Concealed fixings
- Pre-plumbed fittings
- Fully serviceable panel
- Vandal resistant
- Infra red and TMV3 approved options also available (SP9203CP and SP9200CP)

### Product Range

Description	Finish	Code No.
Shower panel with timed flow control	Stainless Steel	SP9202CP

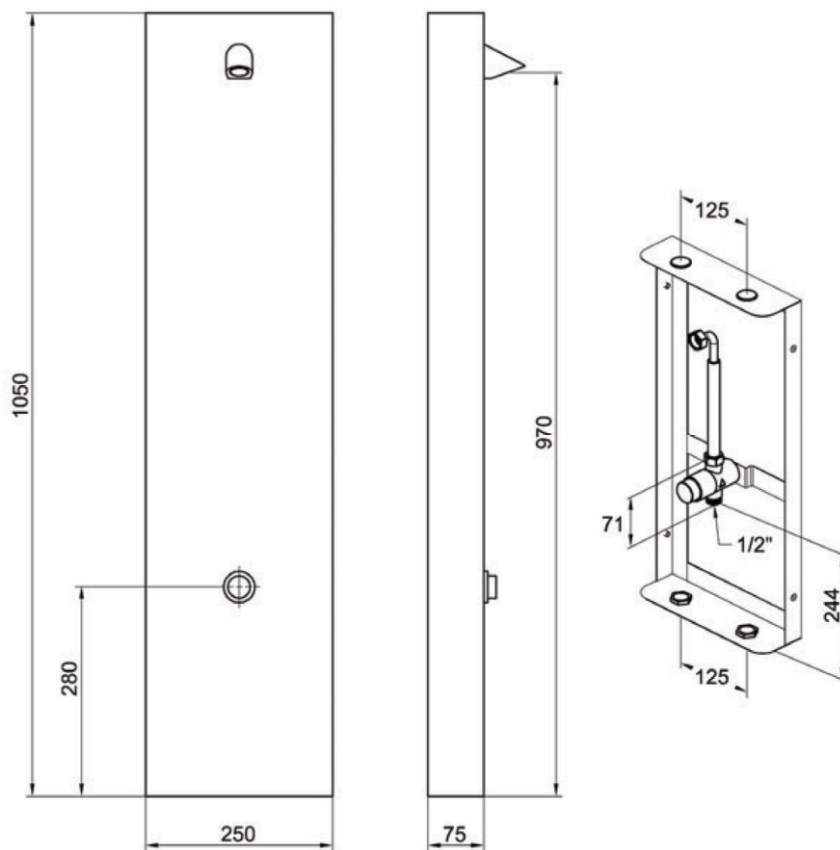
- Vandal Resistant Shower Panel (Non Thermostatic)

## Vandal Resistant Shower Panel

### Features

#### ■ Technical Specification

Max Operating Pressure	10 Bar
Min Operating Pressure	0.5 Bar
Max Inlet Temperature	65°C
Inlet Connections	1/2" BSP



■ Vandal Resistant Shower Panel  
(Non Thermostatic)

■ SP9202CP

■ inspiring confidence