

Doc M Close Coupled WC Pack

Introduction

The Inta Doc M WC packs complies with the approved Document M of the Building Regulations and BS8300:2009. The Inta Doc M WC packs provides both left and right hand layouts without the need to specify right or left hand assemblies*

*NOTE. The drawing on page 3 illustrates a left hand layout, for right hand layouts this must be reversed.



- Complies with document M of the Building Regulations and BS8300:2009
- Lantac approved pack
- Close coupled and Low level packs available
- TMV3 approved packs available
- Operating pressure range of 0.1 to 5 bar
- Available with white or blue rails

Product Range

Description	Finish	Code No.
Doc M 6Ltr close coupled WC pack with white rails	White	DM601WH
Doc M 6Ltr close coupled WC pack with blue rails	Blue	DM601BL
* Doc M 6Ltr close coupled WC pack with white rails & TMV3 approved Basin Tap	White	DMX601WH
* Doc M 6Ltr close coupled WC pack with blue rails & TMV3 approved Basin Tap	Blue	DMX601BL
* Doc M 6Ltr close coupled WC pack with white rails & TMV3 approved Mixing valve	White	DM601WH3
* Doc M 6Ltr close coupled WC pack with blue rails & TMV3 approved Mixing valve	Blue	DM601BL3

* Note: TMV3 approval applies to these packs only



Doc M WC Close Coupled Pack

■ Pack Contents

■ WC SUITE

Close Coupled HO Pan
 6ltr Close Coupled Cistern & Spatula Lever
 Seat Ring and Hinges

■ BASIN

450mm Basin - 2 Tap Holes
 1 1/4" Basin Waste
 Lever Operated Sequential Basin Mixer Tap
 Bottle Trap
 Wall Fixing Brackets
 Tap hole stopper

■ RAILS

600mm Support Rails (x 5)
 Hinged Support Rail with Toilet Roll Holder (x 1)

■ ADDITIONAL MANDATORY ITEMS NOT INCLUDED

Alarm Pull Cord With Two Red Bangles, Shelf & Facility for Limb Storage
 Mirror 400mm wide x 1000mm high fixed at a height of 800mm from the
 from floor to the bottom edge

■ FIXING

It is essential that fixing instructions be followed, as the security of all items is vitally important. Walls onto which fittings are to be mounted must be suitable for the intended use of the applicable product. Appropriate fixings should be used which are suitable for the material of the fixing wall. For specialist fixings advise contact Fisher Fixings to ensure the correct fixings are used.

■ WC

Plugged and screwed to the floor (not supplied)

■ Cistern

Plugged and screwed to the wall (not supplied)

■ Basin

Mounted on brackets provided using suitable fixings (not provided)

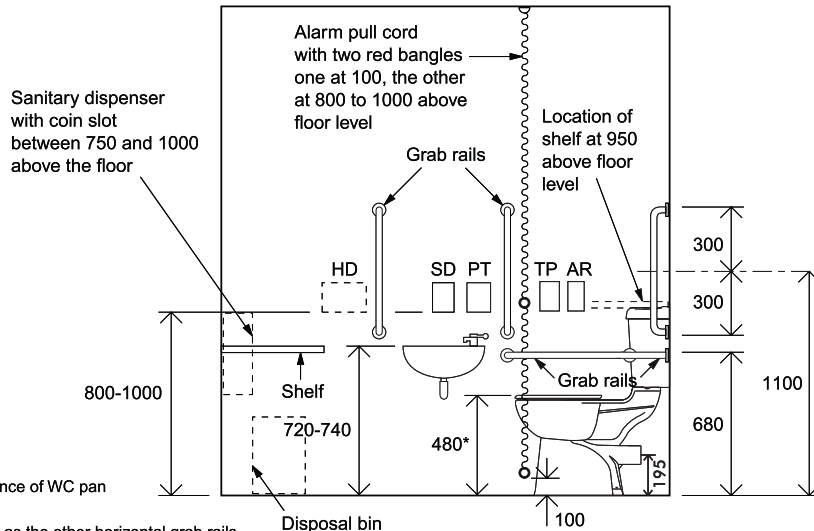
■ Basin Mixer Tap

Lever operated Basin Mixer tap
 Intatherm Thermostatic Basin Mixer Tap TMV3 (DMX601WH & DMX601BL only)

■ Thermostatic Mixing Valve

Intamix TMV3 approved 15mm Thermostatic Mixing Valve (DM601WH3 & DM601BL3 only)



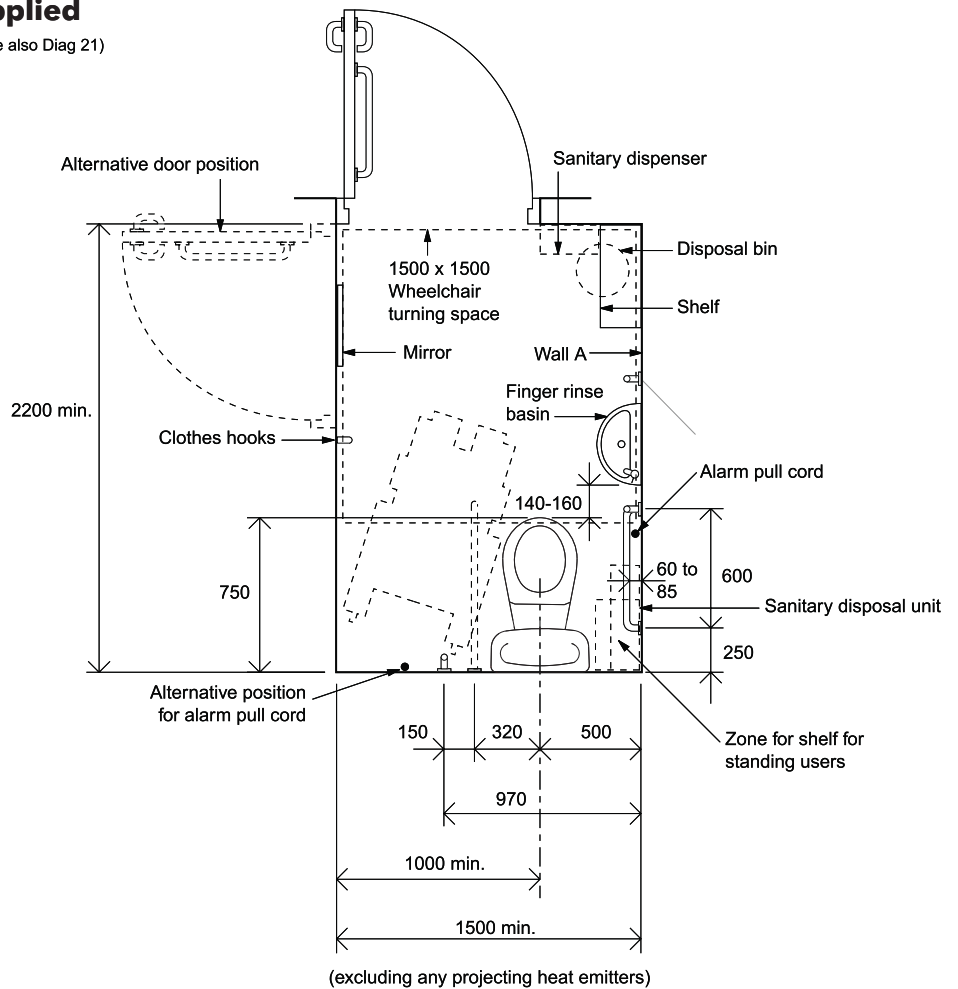


*Height subject to manufacturing tolerance of WC pan

Height of drop-down rails to be the same as the other horizontal grab rails

Additional Items - Not Supplied

- HD: Possible position for automatic hand dryer (see also Diag 21)
- SD: Soap dispenser
- PT: Paper towel dispenser
- AR: Alarm reset button
- TP: Toilet paper dispenser



Note
Layout for right hand transfer to WC



Intatec limited, Airfield Industrial Estate, Hixon, Stafford, ST18 0PF

T. 01889 272180

F. 01889 272181

E. sales@intatec.co.uk

www.intatec.co.uk | www.antiscald.co.uk