

## Multi Directional Valves

### Introduction

The Inta range of multi directional lever operated valves allows the user to deliver hot, cold or mixed temperature water in a controlled and hygienic way. The valves are simple to install, easy to use, vandal resistant and durable making them ideal for wide range of applications

reduces  
wastage and  
delivers water in a  
controlled and  
hygienic way

- Water saving
- Hygienic
- Robust construction
- Durable
- Easy to install



LO800CP



LO810CP



LO820CP

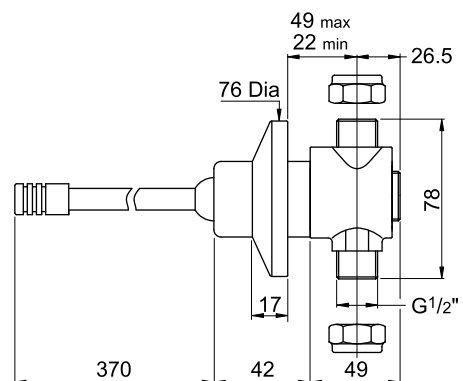
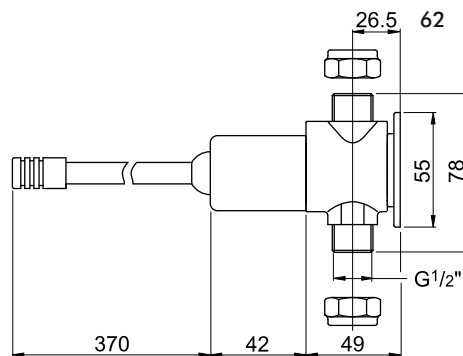
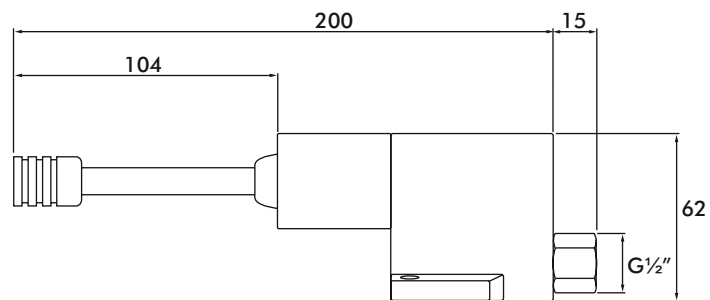
### Product Range

| Description  | Code    |
|--|---------|
| Floor mounted multi directional valve                          | LO800CP |
| Wall mounted knee operated multi directional valve (exposed)   | LO810CP |
| Wall mounted knee operated multi directional valve (concealed) | LO820CP |

Features

Technical Specification

|                       |                     |
|-----------------------|---------------------|
| Max Inlet Pressure    | 5 bar               |
| Min Inlet Pressure    | 0.1 bar             |
| Max Inlet Temperature | 65°C                |
| Flow time             | 15 seconds at 3 Bar |
| Inlet Connections     | 15mm / G1/2"        |
| Outlet Connections    | 15mm / G1/2"        |



inspiring confidence

inta