

Adjustable Timed Flow Shower Controls

**inta adjustable showers
intergrating
non-concussive operation
with a
anti-block feature**

Introduction

The new Inta adjustable flow time non concussive shower valve offers users complete control when installing and operating by enabling the ability to reduce and extend the flow run time. With its anti-block feature built in as standard this allows for the water flow to stop even if the push button is held in the pressed position, this helps to maintain our method of preventing misuse and water wastage.



Adjustable Time Flow Shower Control
Exposed With Anti-block Feature
TF177CP



Adjustable Time Flow Shower Control
Concealed With Anti-block Feature
TF178CP

- Adjustable flow time ranging from 1 to 30 seconds
- 0.5 Bar Dynamic Minimum Operating Pressure
- Exposed and concealed versions available
- Non concussive operation
- Closes automatically
- Anti-block feature
- Simple operation
- Water economy

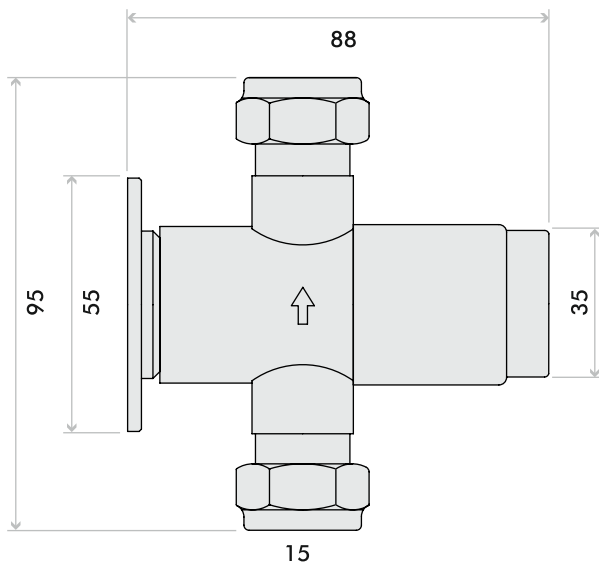
Product Range

Description	Code
adjustable time flow shower control exposed with anti-block feature	TF177CP
adjustable time flow shower control concealed with anti-block feature	TF178CP

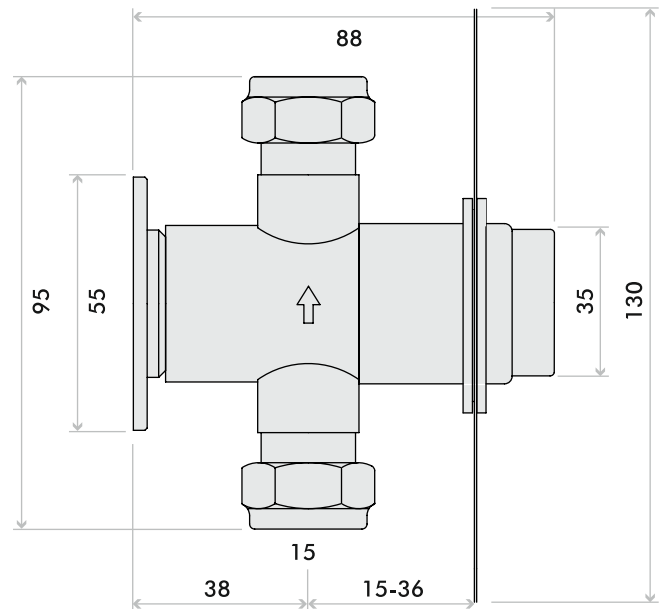
Adjustable Timed Flow Shower Controls

Technical Specification

Max Inlet Pressure	10 Bar (Static)
Min Inlet Pressure	0.5 Bar (Dynamic)
Max Inlet Temperature	65°C
Timed flow (standard)	15 (±5) seconds at 1 bar
Adjustable Flow Time Range	3 - 30 Seconds at 3 bar
Connections	G 1/2" BSP



Time Flow Shower Exposed
TF177CP



Time Flow Shower Concealed
TF178CP

