



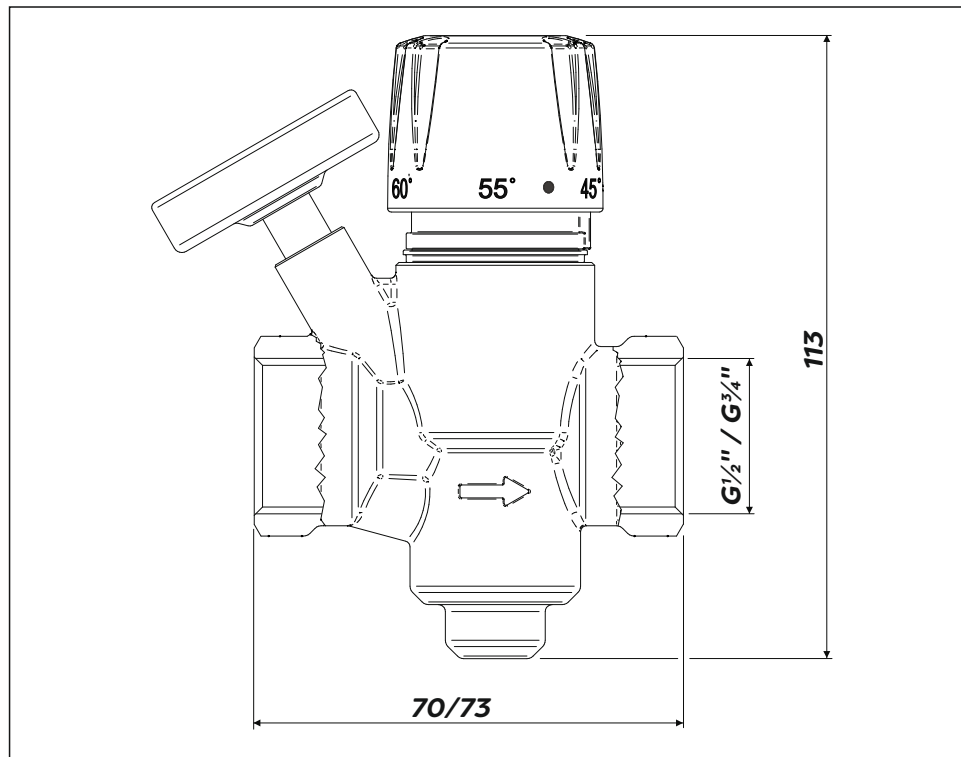
## Product

60040CP - 1/2" Thermal Balancing Valve

60041CP - 3/4" Thermal Balancing Valve

## Technical Specification

Max Static Pressure:	10 Bar
Max Dynamic Temperature:	5 Bar
Max Operating Temperature:	90°C
Temperature Adjustment Range:	65°C
Accuracy:	±2°C
Medium:	Water
Flow Rate:	3 L/min
KV Value:	1.5



## Additional Information

*Helps to improve efficiency of DHW systems*

*Thermostatic self balancing control automatically responds to changes in system temperature and flow requirements*

*Reduces heat loss through lower circulation of hot water*

*Helps to keep temperature evenly distributed and reduces dead-legs*

*Reduces the consequences of oversized circulation pumps*

## SIZING CHART:

