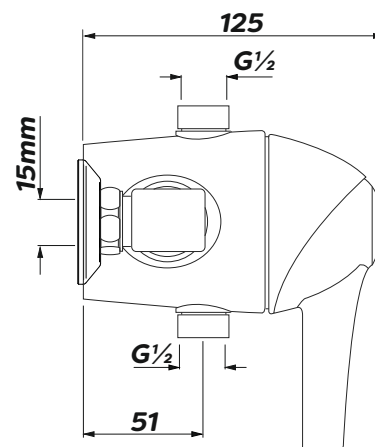
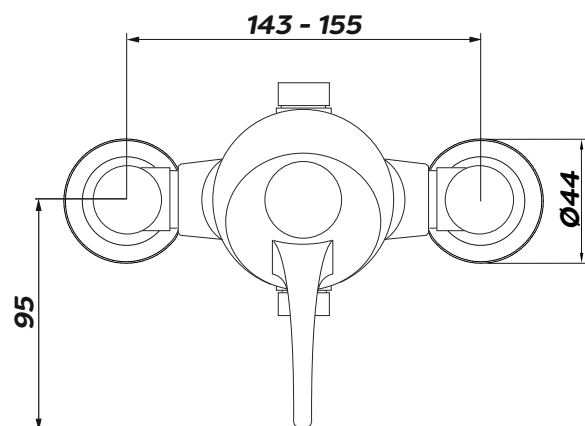


Product

90033CP - Acura Thermostatic Exposed Sequential Control Shower with Top & Bottom Outlet

Technical Specification

Max Inlet Pressure (static):	10 Bar
Min Inlet Pressure (dynamic):	0.2 Bar
Max Inlet Temperature:	85°C
Factory Pre-set Temperature:	41°C with max temp stop
Temperature Stability:	+/-2°C
Inlet Connections:	15mm Compression
Outlet Connections:	G1/2" BSP
Min temperature differential between hot inlet and mixed outlet to achieve cold water failsafe:	10°C
Max Inlet Pressure Ratio:	5:1



Additional Information

Long lever to aid users with limited dexterity

Inclusive design provides function without clinical aesthetics

Thermostatic sequential control

Anti-scald cold water fail-safe technology

WRAS & TMV3 approved (HP only)

Satin finish indice and raised temperature indicator to aid visually impaired

Top or bottom outlet connection



Scan For Spares Sheet



Scan For Installation & Maintenance Instructions

Intatec, Airfield Industrial Estate, Hixon, Stafford, ST18 0PF
T. 01889 272180 F. 01889 272181 E. sales@intatec.co.uk

www.intatec.co.uk