

Product

90034CP - Acura Thermostatic Exposed Sequential Control Shower with Top or Bottom Outlet & Isolating Valves

Technical Specification

Max Inlet Pressure (static):	10 Bar
Min Inlet Pressure (dynamic):	0.2 Bar
Max Inlet Temperature:	85°C
Factory Pre-set Temperature:	43°C with max temp stop
Temperature Stability:	+/-2°C
Inlet Connections:	15mm Compression
Outlet Connections:	15mm Compression
Min temperature differential to achieve hot or cold failsafe:	10°C
System Installation:	Unvented, Pressurised, Gravity & Combination



Additional Information

Long lever to aid users with limited dexterity

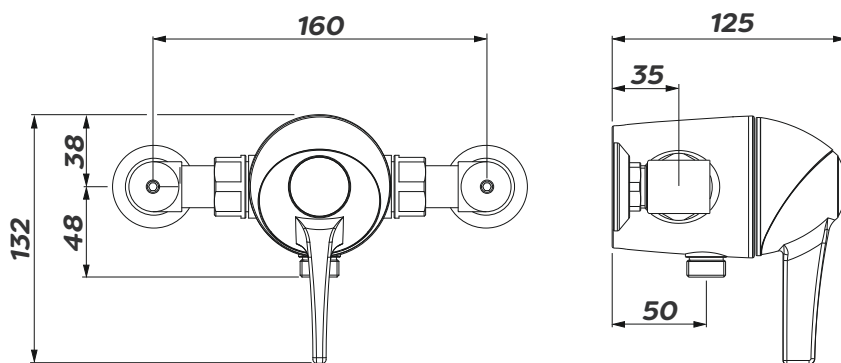
Inclusive design provides function without clinical aesthetics

Built in isolation valves

Thermostatic sequential control

Anti-scald fail-safe technology

Satin finish indice and raised temperature indicator to aid visually impaired



Flow Rates

Pressure (Bar)	0.25	0.5	0.75	1.0	1.5	2.0	2.5	3.0	3.5	4.0
Flow (L/m)	9.6	15.4	18.2	21.8	26.8	30.9	34.8	38.0	41.0	43.8



Scan For Spares Sheet

Scan For Installation & Maintenance Instructions

Intatec, Airfield Industrial Estate, Hixon, Stafford, ST18 0PF
T. 01889 272180 F. 01889 272181 E. sales@intatec.co.uk

www.intatec.co.uk

09/21
E&OE