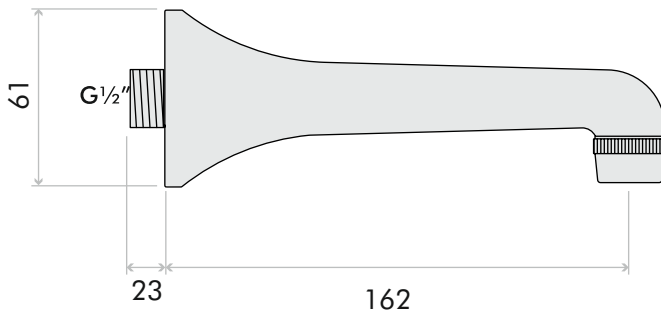
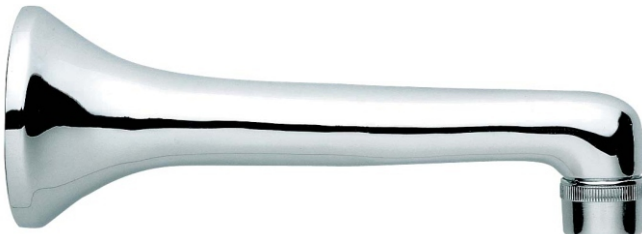


## Inta Spouts

- Water saving
- Durable
- Robust construction
- Hygienic
- Modern styling
- Easy to install



### Product Range

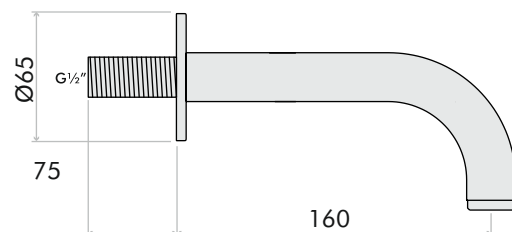
Description	Code
Inta wall mounted fixed basin spout	5161CP

- MIN OPERATING PRESSURE: 0.5 BAR DYNAMIC
- MAX OPERATING PRESSURE: 5 BAR STATIC
- MAX INLET TEMPERATURE: 65°C

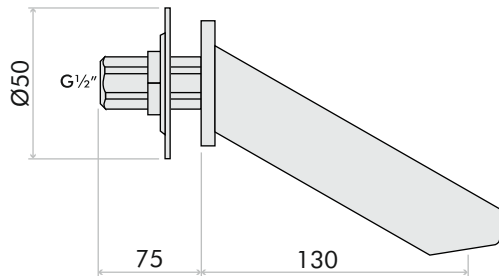
### Product Range

Description	Code
Inta wall mounted fixed minimalistic spout	5165CP

- MIN OPERATING PRESSURE: 0.5 BAR DYNAMIC
- MAX OPERATING PRESSURE: 5 BAR STATIC
- MAX INLET TEMPERATURE: 65°C



## Inta Spouts



### Product Range

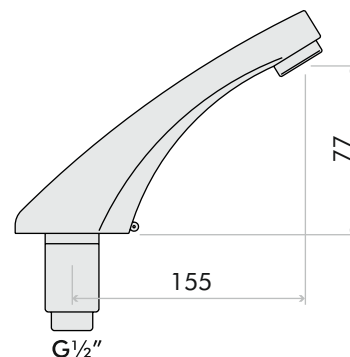
Description	Code
Inta wall mounted spout	5287CP

- MIN OPERATING PRESSURE: 0.5 BAR DYNAMIC
- MAX OPERATING PRESSURE: 5 BAR STATIC
- MAX INLET TEMPERATURE: 65°C

### Product Range

Description	Code
Inta basin mounted fixed bast spout	5163CP

- MIN OPERATING PRESSURE: 0.5 BAR DYNAMIC
- MAX OPERATING PRESSURE: 5 BAR STATIC
- MAX INLET TEMPERATURE: 65°C



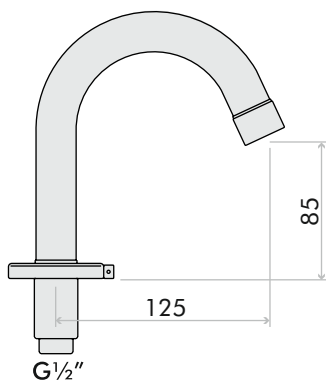
## Inta Spouts



### Product Range

Description	Code
Inta basin mounted fixed spout	5160CP

- MIN OPERATING PRESSURE: 0.5 BAR DYNAMIC
- MAX OPERATING PRESSURE: 5 BAR STATIC
- MAX INLET TEMPERATURE: 65°C



### Product Range

Description	Code
Inta basin mounted swivel tube spout	5162CP

- MIN OPERATING PRESSURE: 0.5 BAR DYNAMIC
- MAX OPERATING PRESSURE: 5 BAR STATIC
- MAX INLET TEMPERATURE: 65°C

