

Product

IT1008CP - Intatherm Eco Thermostatic Basin Mixer Tap with Copper Tails

Technical Specification

Max Inlet Pressure (static):	10 Bar
Min Inlet Pressure (dynamic):	0.2 Bar
Max Inlet Temperature:	85°C
Factory Pre-set Temperature:	43°C with max temp stop
Temperature Stability:	+/-2°C
Inlet Connections:	M10 Copper Tails
Min temperature differential to achieve hot or cold failsafe:	10°C
System Installation:	Unvented, Pressurised, Gravity & Combination



Additional Information

Long lever to aid users with limited dexterity

Sturdy metal handle

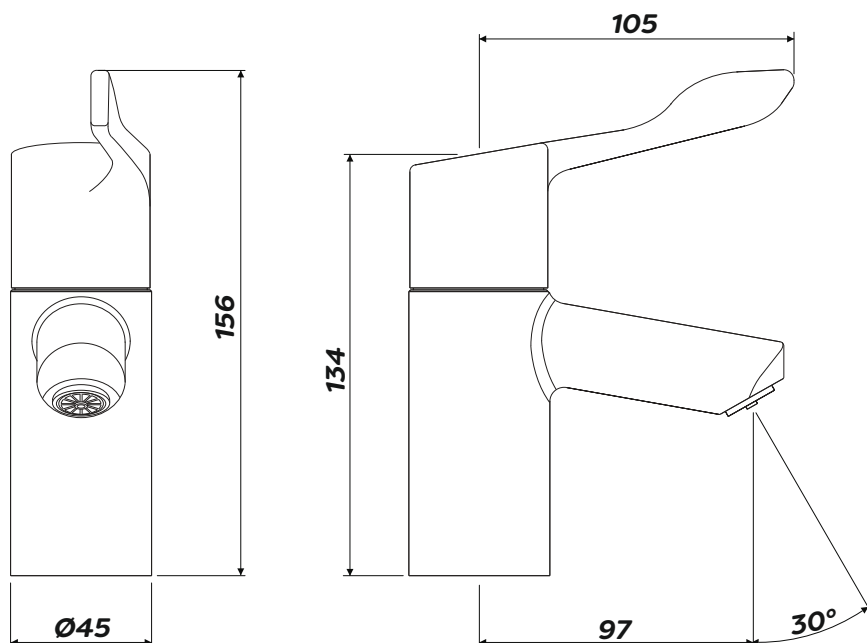
Thermostatic sequential control

Anti-scald fail-safe technology

Copper inlet connections

Self draining spout

WRAS & TMV3 Approved



Flow Rates

Pressure (Bar)	0.25	0.5	0.75	1.0	1.5	2.0	2.5	3.0	3.5	4.0
Flow (L/m)	6.6	7.8	9.5	11.4	13.6	15.2	17.0	18.9	21.1	22.9



Intatec, Airfield Industrial Estate, Hixon, Stafford, ST18 0PF

T. 01889 272180 F. 01889 272181 E. sales@intatec.co.uk

www.intatec.co.uk