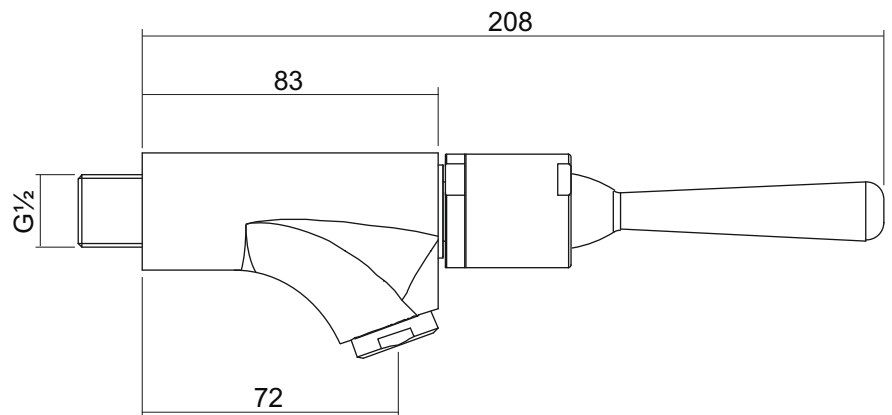


Product

NC190CP - Non Concussive Multi Directional Wall Mounted Tap
NC190CP5 - Non Concussive Multi Directional Wall Mounted Tap
with 5 L/min Flow Regulator

Technical Specification

Max Inlet Pressure (static):	10 Bar
Min Inlet Pressure (dynamic):	0.2 Bar
Max Inlet Temperature:	65°C
Timed Flow at 1 Bar:	15 ± 3 Seconds
Inlet Connection:	G1/2"



Additional Information

Simple non concussive operation

Self closing operation lowers water consumption

Long lever allows for easier operation while enabling users with limited mobility to use the facility

Designed for use with the Intamix range of thermostatic mixing valves