

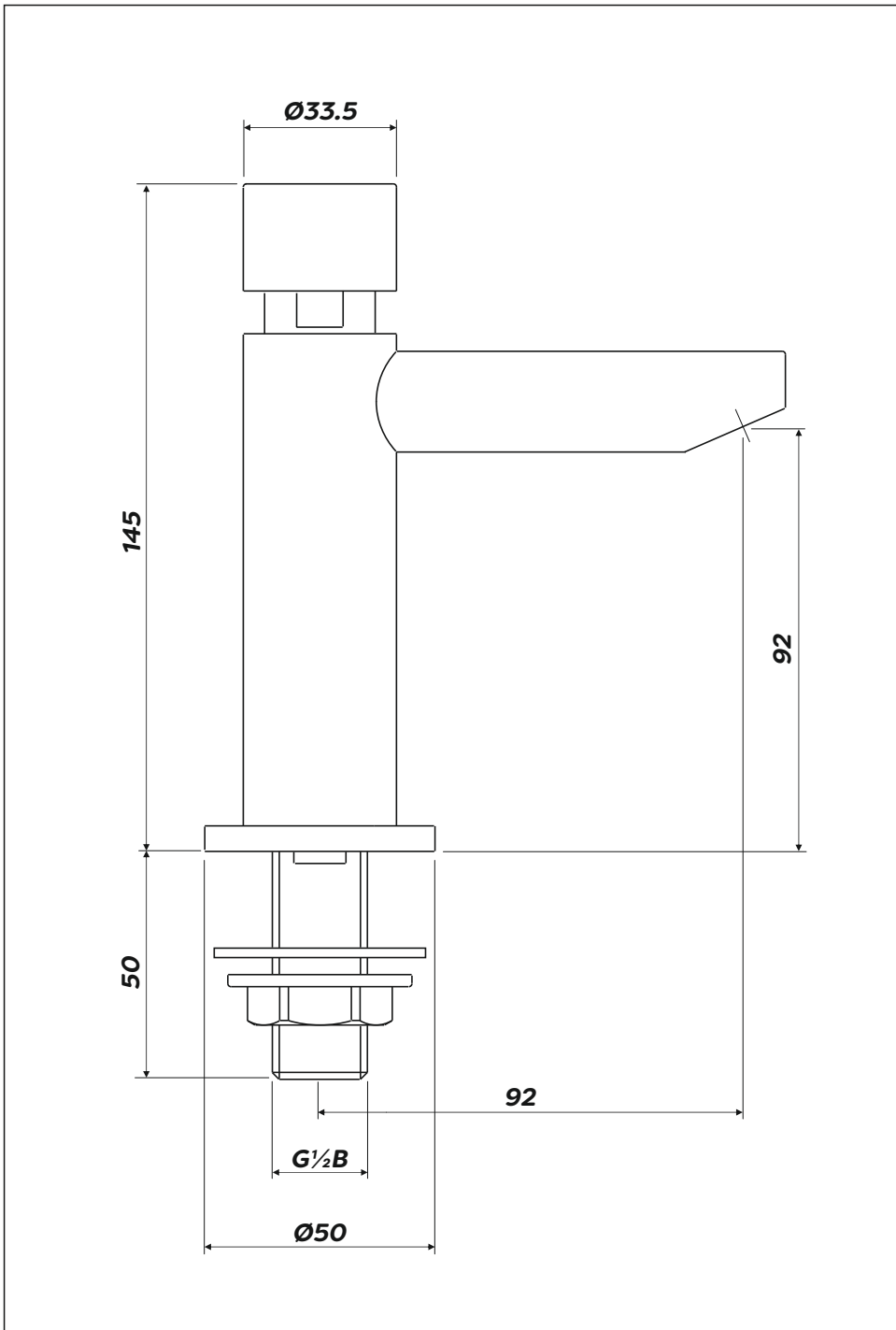


Product

NC235CP - Non Concussive Basin Mounted Monoblock Tap

Technical Specification

Max Inlet Pressure (static):	6 Bar
Min Inlet Pressure (dynamic):	1 Bar
Max Inlet Temperature:	65°C
Inlet Connections:	G1/2"
Timed Flow:	15±5 Seconds at 1 Bar



Additional Information

Simple push button operation

Closes automatically

Optional 5 l/min flow regulator included

15±5 Second Flow Time at 1 Bar (dynamic)