

PRESSURE REDUCING VALVES

Static and dynamic pressure control

Introduction

Inta's Pressure Reducing Valves (PRV) with static and dynamic pressure control are designed to reduce fluid pressure to optimal system levels and to maintain that level, preventing damage to system components located downstream of the PRV.

Featuring our new, high temperature, easy to service our PRV's compact design means they can be used even in areas where space is limited.

All PRV's larger than 22mm and 3/4" are supplied with a 'dial up' head, meaning the valve can easily be set by hand, without the use of a tool.



- Available in 15 - 54mm and 1/2" - 2"
- WRAS* approved
- Easy to service high temperature cartridge
- Featuring our new 'dial up' head*
- AISI 304 stainless steel cartridge filter
- Conforms to BS EN 1567
- Controls both static and dynamic pressure
- Designed for both domestic & commercial use



Product Range

Drop Tight Pressure Reducing Valves	Code
15mm pressure reducing valve	PRV22331500.1
22mm pressure reducing valve	PRV22332200.1
1/2" pressure reducing valve	PRV223305000.1
3/4" pressure reducing valve	PRV223307500.1

Compression Dial Up Pressure Reducing Valves

28mm pressure reducing valve	PRV22332800.1
35mm pressure reducing valve	PRV22333500.1
42mm pressure reducing valve	PRV22334200.1
54mm pressure reducing valve	PRV22335400.1

Screwed Iron Dial Up Pressure Reducing Valves

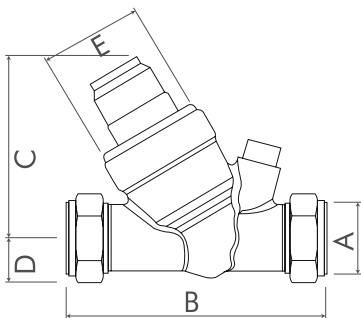
1" pressure reducing valve	PRV223310000.1
1 1/4" pressure reducing valve	PRV223312500.1
1 1/2" pressure reducing valve	PRV223315000.1
2" pressure reducing valve	PRV223320000.1

PRESSURE REDUCING VALVES

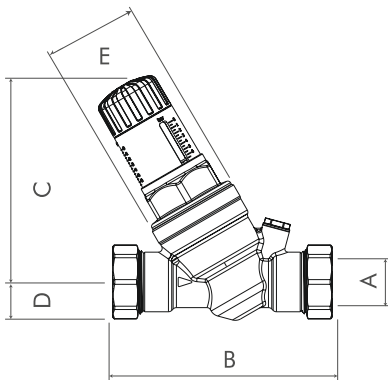
Technical Specification

Max inlet pressure (static)	16 Bar
Adjustable pressure range	0.5 - 6.0 Bar
Min Inlet Pressure	0.5 Bar
Max Inlet Temperature	80°C
Factory set pressure	3.0 bar

Dimensions

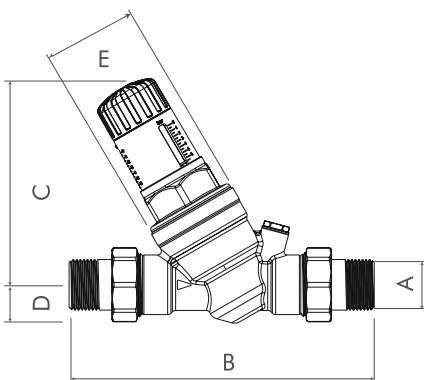


	A	B	C	D	E
15mm	103	75	19	46	
22mm	107	77	19	46	
1/2"	75	76	18	46	
3/4"	78	77	16	46	



28mm - 54mm

	A	B	C	D	E
28mm	131	134	25	61	
35mm	138	137	28	61	
42mm	148	142	30	61	
54mm	155	146	38	61	

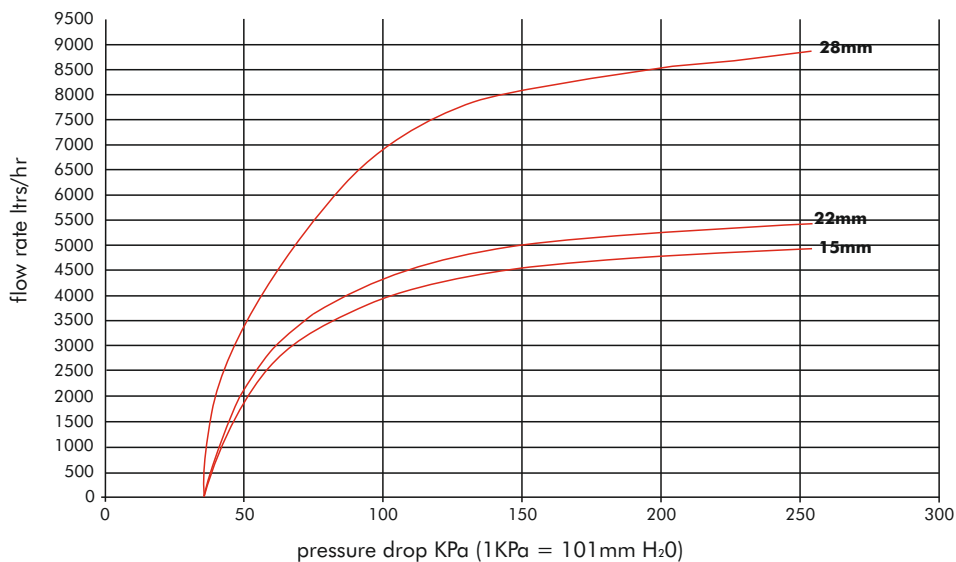


1" - 2"

	A	B	C	D	E
1"	199	134	24	61	
1 1/4"	217	138	30	61	
1 1/2"	236	144	37	61	
2"	269	146	47	61	

PRESSURE REDUCING VALVES

Flow rate and Pressure Drop



these values are obtained with: Inlet pressure 8 bar and outlet pressure 3 bar

Cavitation chart

