



Product

VR991CP - Vandal Resistant Shower Head (Concealed or Exposed)

Accessories

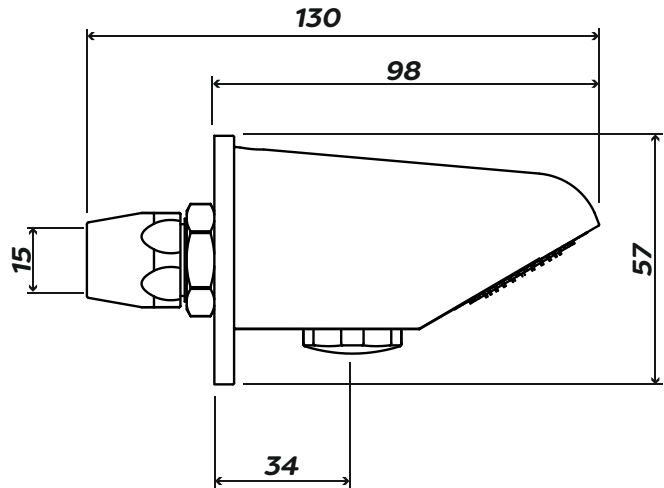
BO57033 - 6 Litres Per Minute Flow Regulator

BO57034 - 8 Litres Per Minute Flow Regulator

HOPIPE1 - 1m (15mm Ø) Polished Stainless Steel Pipe

Technical Specification

Max Inlet Pressure (static):	10 Bar
Min Inlet Pressure (dynamic):	0.2 Bar
Max Inlet Temperature:	85°C
Inlet Connection:	15mm Compression



Additional Information

Suitable for concealed or exposed pipework

Vandal resistant design

Brass body with polished chrome finish

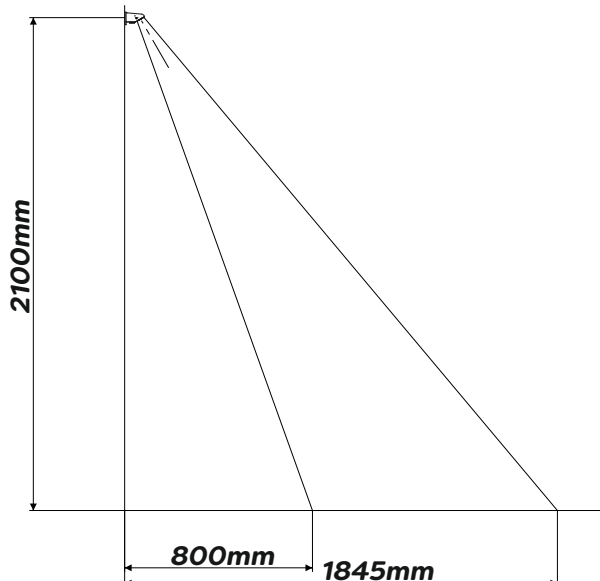
1m polished stainless steel pipe available (HOPIPE1)

Hidden wall fixing for security

Flow regulators available

Full range of shower controls to suit

VR991CP Spray Pattern at 1 Bar (dynamic)



Intatec, Airfield Industrial Estate, Hixon, Stafford, ST18 0PF

T. 01889 272180 F. 01889 272181 E. sales@intatec.co.uk

www.intatec.co.uk