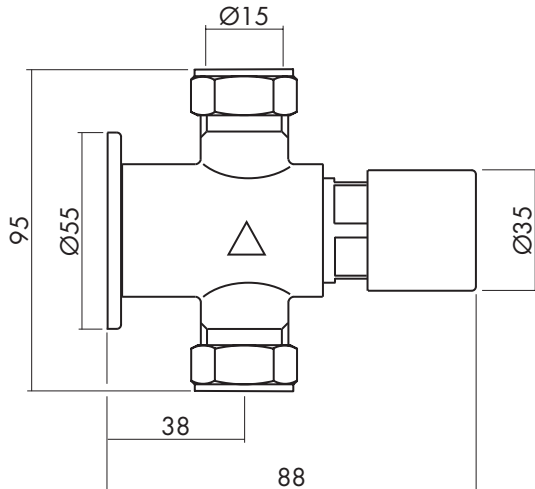


TF177CP Adjustable Timed Flow Shower Controller with Anti-Block Feature For Exposed Pipes

For use with VR991CP shower head



Operating Conditions

Maximum Inlet Pressure	10 bar (Static)
Minimum Inlet Pressure	0.5 bar (Dynamic)
Maximum Inlet Temperature	65°C
Timed Flow (Standard)	15±5 sec at 1 bar
Adjustable Flow Time Range	3 to 30 sec at 3 bar

Location

Mount on a tiled wall or similar water proof surface.
The flow controller must not be positioned where it will be subjected to freezing conditions

Installation

Flush the supply pipe before fitting the flow controller as debris will prevent it from working correctly.

The back plate is supplied securely fixed to the controller body.

Position the controller on the wall, and using the 2 holes as a template mark the position for the 2 fixing holes.

Make sure the flow controller is suitably located for connection to the pipework.

The height of the controller should be 1.1 to 1.2m above the floor.

Drill the wall and secure the controller using plugs and screws (not supplied) suitable for the type of wall and material of construction.

Fit the controller to the wall and **check the flow direction arrow to ensure that the flow will be towards the chosen outlet** before tightening the fixing screws.

Installation Continued

Using the compression nut and olive provided make a water tight joint.

For additional security the pipe should be offset to suit a pipe bracket or saddle band which should be fitted midway between.

It is recommended that the flow controller is supplied by a thermostatic mixing valve to prevent scalding.

A service ball valve must be installed in the supply pipe work or the controller must be supplied via a thermostatic mixing valve, which has supply connections containing an isolating valve, to enable the controller to be isolated for cleaning or servicing.

Operation and Anti Block Feature

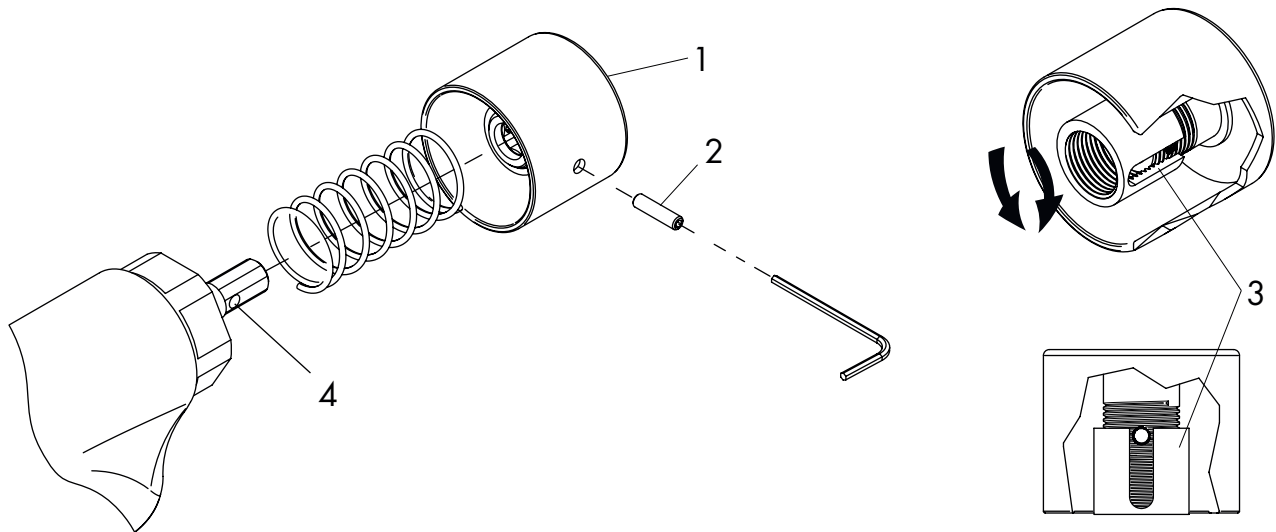
To operate the shower controller press the button head until a stop is felt, release the button and the controller will pass water for the set time.

The anti-block feature prevents water from flowing continuously even if the button is held in the pressure position thus preventing water wastage.

TF177CP Adjustable Timed Flow Shower Controller with Anti-Block Feature For Exposed Pipes

For use with VR991CP shower head

Adjusting the Flow Time



Adjusting the Flow Time

- 1 Remove the button head (1) by removing the grub screw (2) using the 1.5mm hexagon wrench provided, taking care to prevent the spring from escaping in an uncontrolled manner.
- 2 Adjustment to the timed flow can be achieved by turning the stop ring (3) clockwise to increase the length of timed flow and anti-clockwise to reduce it.
- 3 Make sure the slot in the stop ring is oriented to allow the grub screw to be returned to its original position and enter the hole in the spindle (4) of the flow cartridge.
- 4 To re-assemble the button head to the cartridge spindle in the reverse order taking care when re-fitting the spring.
- 5 Test the tap several times to confirm the desired flow time has been achieved.

Aftercare

To maintain the appearance of the flow controller periodically it should be cleaned with a soft damp cloth and a mild detergent before rinsing.

The use of **abrasive** or **solvent cleaners** will **damage** the finish of the product and should **not be used**.