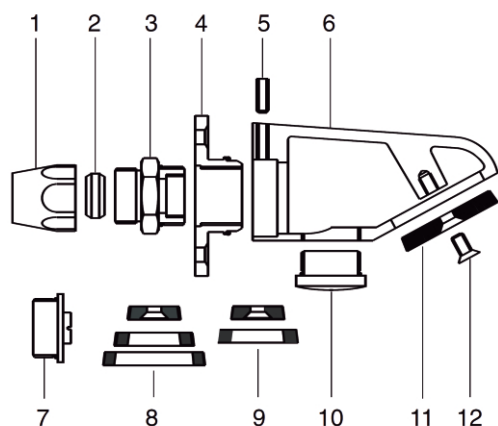


VR991CP Vandal Resistant Shower Head For Concealed or Exposed Pipes

For use with TF997CP and TF122CP Timed Flow Controllers

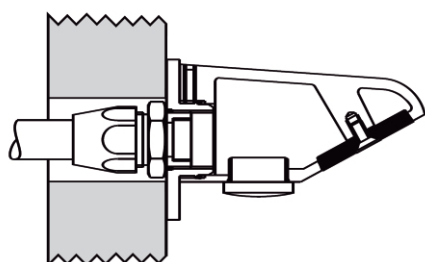


Components

1	Compression Nut	2	Olive
3	Pipe connector	4	Backplate
5	Socket set screw	6	Body
7	Internal plug	8	3 splinned rings
9	2 unsplinned rings	10	Chrome plug
11	Spray head	12	Counter sunk cap screw

Operating Conditions

Max. Operating Pressure	10 bar
Min. Operating Pressure	0.2 bar
Max. Inlet Temperature	65°C



Location

For ease of servicing always mount on a tiled wall or similar water proof surface, never tile up to the shower head.

Choose the position of the shower to suit the tallest user.

The shower must not be positioned where it will be subjected to freezing conditions

Installation Instructions

The VR991 is always despatched configured for concealed pipework.

Drill a hole through the wall 32mm in diameter.

Separate the body (6) from the backing plate (4) by unscrewing the set screw (5) and pulling apart.

Using the backing plate (4) as a template mark the position for the two fixing holes which should be horizontal to each other.

Drill and plug to suit the fixing screws supplied which are suitable for most brick walls.

If the wall is plaster board or soft building block use special wall plugs obtainable from most DIY stores.

Connect the copper supply pipe to the pipe connector (3) using the olive (2) and tighten the compression nut (1) to make a water tight joint.

Position the pipe and backplate on the wall and secure in position using the screws provided.

Push the body onto the backplate taking care not to damage the 'O' ring seal and retighten the socket set screw (5) to hold in position, do not over tighten.

Changing Spray Pattern

The spray pattern can be changed to suit.

Remove the spray head (11) by unscrewing the counter sunk cap screw (12).

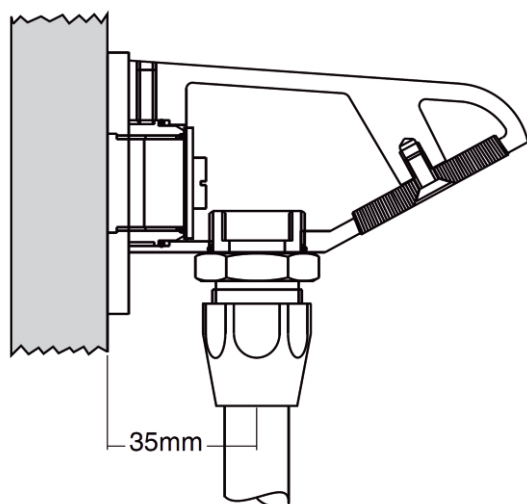
The spray head consists of 3 separate plastic rings, gently push from inner side to separate.

Use one or both of the 2 unsplinned rings to reduce the number of spray orifice and re-assemble by gently pushing the rings together.

Refit to shower and secure with counter sunk cap screw.

VR991CP Vandal Resistant Shower Head For Concealed or Exposed Pipes

For use with TF997CP and TF122CP Timed Flow Controllers



Operating Conditions

Max. Operating Pressure	10 bar
Min. Operating Pressure	0.2 bar
Max. Inlet Temperature	65°C

Location

For ease of servicing always mount on a tiled wall or similar water proof surface, never tile up to the shower head.

Choose the position of the shower to suit the tallest user.

The shower must not be positioned where it will be subjected to freezing conditions

Installation Instructions

For exposed pipework the configuration of the shower needs to be changed.

Separate the body (6) from the backing plate (4) by unscrewing the set screw (5) and pulling apart.

Unscrew the pipe connector (3) from the back plate (4) and fit the internal plug (7) to the back plate from the opposite side taking care not to damage the 'O'ring and tighten make a water tight joint.

Unscrew the the chrome plug (10) from the body and replace with the pipe connector (3) taking care not to damage the 'O'ring and tighten make a water tight joint.

Using the backing plate (4) as a template mark the position for the two fixing holes which should be horizontal to each other.

Drill and plug to suit the fixing screws supplied which are suitable for most brick walls.

If the wall is plaster board or soft building block use special wall plugs obtainable from most DIY stores.

Position the backplate on the wall and secure in position using the screws provided.

Push the body onto the backplate taking care not to damage the 'O' ring seal and retighten the socket set screw to hold in position, do not over tighten.

Connect the supply pipe using the olive and compression nut supplied.

Changing Spray Pattern

The spray pattern can be changed to suit.

Remove the spray head (11) by unscrewing the counter sunk cap screw (12).

The spray head consists of 3 separate plastic rings, gently push from inner side to separate.

Use one or both of the 2 unsplinned rings to reduce the number of spray orifice and re-assemble by gently pushing the rings together.

Refit to shower and secure with counter sunk cap screw.